



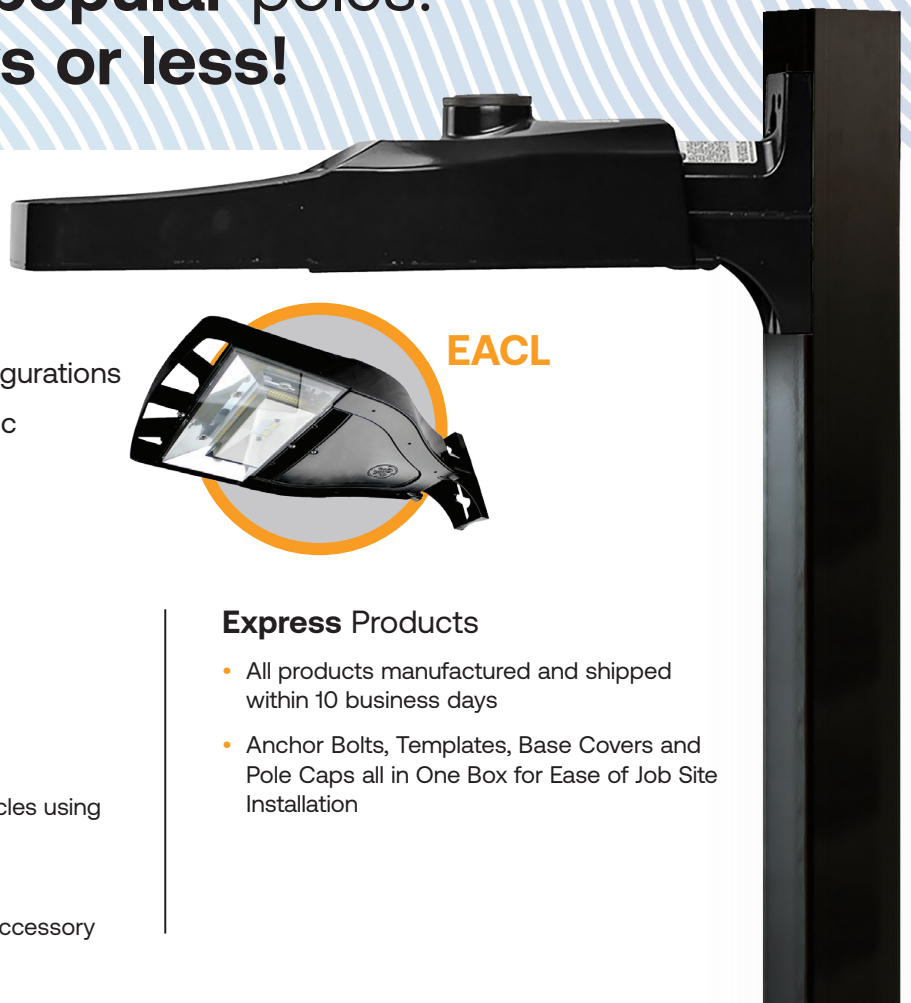
One of our **most popular** area lights paired with our **most popular** poles!  
Ships in **10 days or less!**

### Evolve Area Lights

- One size up to 20,000 Lumens
- Single & Double 180 degree configurations
- Asymmetric Wide and Asymmetric Forward Distributions
- Dark Bronze Paint

### SSS Series Poles

- Square Straight Steel Construction
- 4" Square x 0.125" Wall Thickness
- 20' and 25' Lengths
- Pole Base Accommodates 8"-10" Bolt Circles using Four 3/4" Diameter Anchor Bolts
- Dark Bronze Powder Paint
- Optional Vibration Damper Available as Accessory



### Express Products

- All products manufactured and shipped within 10 business days
- Anchor Bolts, Templates, Base Covers and Pole Caps all in One Box for Ease of Job Site Installation



# Easy as 1, 2, Order



Choose **your fixture**



Choose **your pole**



**Order!**

## Ordering Information

### FIXTURE & 20' POLE CONFIGURATIONS

CATALOG NUMBER	POLE	SINGLE OR DOUBLE HEAD	FIXTURE	VOLTAGE	LUMENS	DISTRIBUTIONS	CCT	MOUNTING	FINISH
EVEX-SSSE20-1-EACL-0-B4-AF-40-D1-DKBZ	20' Square Straight Steel	Single	EACL	120-277	5000	Asymmetric Forward	4000K	Universal	DKBZ
EVEX-SSSE20-2-EACL-0-B4-AF-40-D1-DKBZ	20' Square Straight Steel	Double	EACL	120-277	5000	Asymmetric Forward	4000K	Universal	DKBZ
EVEX-SSSE20-1-EACL-0-B3-AW-40-D1-DKBZ	20' Square Straight Steel	Single	EACL	120-277	5000	Asymmetric Wide	4000K	Universal	DKBZ
EVEX-SSSE20-2-EACL-0-B3-AW-40-D1-DKBZ	20' Square Straight Steel	Double	EACL	120-277	5000	Asymmetric Wide	4000K	Universal	DKBZ
EVEX-SSSE20-1-EACL-0-C4-AF-40-D1-DKBZ	20' Square Straight Steel	Single	EACL	120-277	7500	Asymmetric Forward	4000K	Universal	DKBZ
EVEX-SSSE20-2-EACL-0-C4-AF-40-D1-DKBZ	20' Square Straight Steel	Double	EACL	120-277	7500	Asymmetric Forward	4000K	Universal	DKBZ
EVEX-SSSE20-1-EACL-0-C3-AW-40-D1-DKBZ	20' Square Straight Steel	Single	EACL	120-277	7500	Asymmetric Wide	4000K	Universal	DKBZ
EVEX-SSSE20-2-EACL-0-C3-AW-40-D1-DKBZ	20' Square Straight Steel	Double	EACL	120-277	7500	Asymmetric Wide	4000K	Universal	DKBZ
EVEX-SSSE20-1-EACL-0-F3-AW-40-D1-DKBZ	20' Square Straight Steel	Single	EACL	120-277	15000	Asymmetric Wide	4000K	Universal	DKBZ
EVEX-SSSE20-2-EACL-0-F3-AW-40-D1-DKBZ	20' Square Straight Steel	Double	EACL	120-277	15000	Asymmetric Wide	4000K	Universal	DKBZ
EVEX-SSSE20-1-EACL-0-F4-AF-40-D1-DKBZ	20' Square Straight Steel	Single	EACL	120-277	15000	Asymmetric Forward	4000K	Universal	DKBZ
EVEX-SSSE20-2-EACL-0-F4-AF-40-D1-DKBZ	20' Square Straight Steel	Double	EACL	120-277	15000	Asymmetric Forward	4000K	Universal	DKBZ
EVEX-SSSE20-1-EACL-0-H4-AF-40-D1-DKBZ	20' Square Straight Steel	Single	EACL	120-277	20000	Asymmetric Forward	4000K	Universal	DKBZ
EVEX-SSSE20-2-EACL-0-H4-AF-40-D1-DKBZ	20' Square Straight Steel	Double	EACL	120-277	20000	Asymmetric Forward	4000K	Universal	DKBZ
EVEX-SSSE20-1-EACL-0-H3-AW-40-D1-DKBZ	20' Square Straight Steel	Single	EACL	120-277	20000	Asymmetric Wide	4000K	Universal	DKBZ
EVEX-SSSE20-2-EACL-0-H3-AW-40-D1-DKBZ	20' Square Straight Steel	Double	EACL	120-277	20000	Asymmetric Wide	4000K	Universal	DKBZ

#### ACCESSORY PART NUMBER

VM1E4DKBZ

Vibration dampener, mounts to top of pole for reduced vibration.

\* Vibration dampeners are highly recommended for all poles 20' and over with an EPA of <1.0.



# Ordering Information

## FIXTURE & 25' POLE CONFIGURATIONS

CATALOG NUMBER	POLE	SINGLE OR DOUBLE HEAD	FIXTURE	VOLTAGE	LUMENS	DISTRIBUTIONS	CCT	MOUNTING	FINISH
EVEX-SSSE25-1-EACL-0-B4-AF-40-D1-DKBZ	25' Square Straight Steel	Single	EACL	120-277	5000	Asymmetric Forward	4000K	Universal	DKBZ
EVEX-SSSE25-2-EACL-0-B4-AF-40-D1-DKBZ	25' Square Straight Steel	Double	EACL	120-277	5000	Asymmetric Forward	4000K	Universal	DKBZ
EVEX-SSSE25-1-EACL-0-B3-AW-40-D1-DKBZ	25' Square Straight Steel	Single	EACL	120-277	5000	Asymmetric Wide	4000K	Universal	DKBZ
EVEX-SSSE25-2-EACL-0-B3-AW-40-D1-DKBZ	25' Square Straight Steel	Double	EACL	120-277	5000	Asymmetric Wide	4000K	Universal	DKBZ
EVEX-SSSE25-1-EACL-0-C4-AF-40-D1-DKBZ	25' Square Straight Steel	Single	EACL	120-277	7500	Asymmetric Forward	4000K	Universal	DKBZ
EVEX-SSSE25-2-EACL-0-C4-AF-40-D1-DKBZ	25' Square Straight Steel	Double	EACL	120-277	7500	Asymmetric Forward	4000K	Universal	DKBZ
EVEX-SSSE25-1-EACL-0-C3-AW-40-D1-DKBZ	25' Square Straight Steel	Single	EACL	120-277	7500	Asymmetric Wide	4000K	Universal	DKBZ
EVEX-SSSE25-2-EACL-0-C3-AW-40-D1-DKBZ	25' Square Straight Steel	Double	EACL	120-277	7500	Asymmetric Wide	4000K	Universal	DKBZ
EVEX-SSSE25-1-EACL-0-F4-AF-40-D1-DKBZ	25' Square Straight Steel	Single	EACL	120-277	15000	Asymmetric Forward	4000K	Universal	DKBZ
EVEX-SSSE25-2-EACL-0-F4-AF-40-D1-DKBZ	25' Square Straight Steel	Double	EACL	120-277	15000	Asymmetric Forward	4000K	Universal	DKBZ
EVEX-SSSE25-1-EACL-0-F3-AW-40-D1-DKBZ	25' Square Straight Steel	Single	EACL	120-277	15000	Asymmetric Wide	4000K	Universal	DKBZ
EVEX-SSSE25-2-EACL-0-F3-AW-40-D1-DKBZ	25' Square Straight Steel	Double	EACL	120-277	15000	Asymmetric Wide	4000K	Universal	DKBZ
EVEX-SSSE25-1-EACL-0-H4-AF-40-D1-DKBZ	25' Square Straight Steel	Single	EACL	120-277	20000	Asymmetric Forward	4000K	Universal	DKBZ
EVEX-SSSE25-2-EACL-0-H4-AF-40-D1-DKBZ	25' Square Straight Steel	Double	EACL	120-277	20000	Asymmetric Forward	4000K	Universal	DKBZ
EVEX-SSSE25-1-EACL-0-H3-AW-40-D1-DKBZ	25' Square Straight Steel	Single	EACL	120-277	20000	Asymmetric Wide	4000K	Universal	DKBZ
EVEX-SSSE25-2-EACL-0-H3-AW-40-D1-DKBZ	25' Square Straight Steel	Double	EACL	120-277	20000	Asymmetric Wide	4000K	Universal	DKBZ

### ACCESSORY PART NUMBER

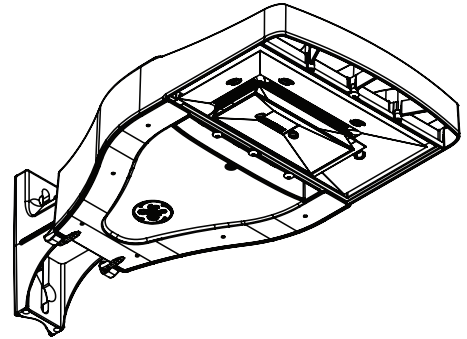
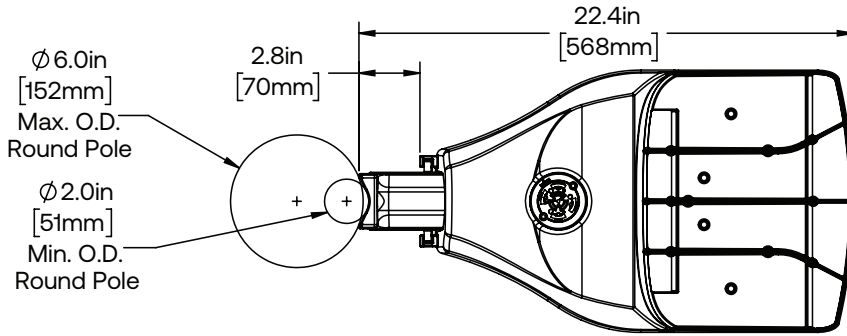
VMIE4DKBZ	Vibration dampener, mounts to top of pole for reduced vibration.
-----------	--

\* Vibration dampeners are highly recommended for all poles 20' and over with an EPA of <1.0.



Performance Data

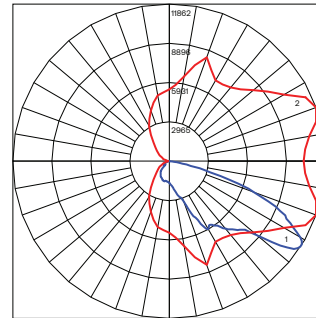
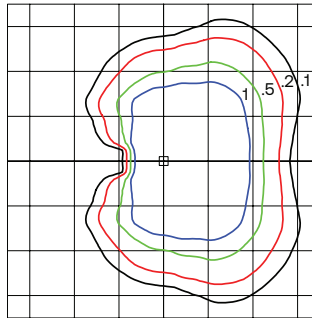
EACL UNIVERSAL ARM MOUNT: D1



TOP VIEW

Photometric Plots

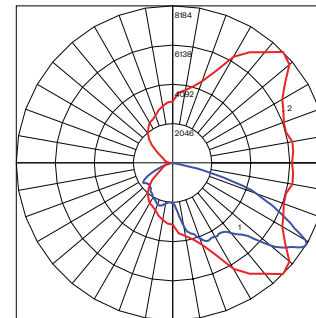
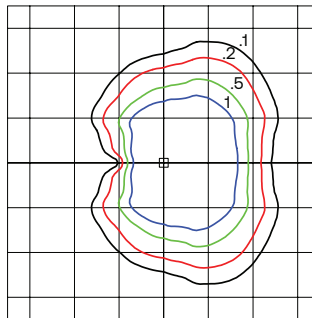
**EACL - Type IV - Very Short ASYMMETRIC FORWARD**  
 20,000 lumens  
 EACL01\_H4AF750\_IES



Grid Distance in Units of Mounting Height at 20' Initial Footcandle Values at Grade

— Vertical plane through horizontal angle of maximum candlepower at XX°  
 — Vertical plane through horizontal angle of XX°

**EACL - Type III - Short ASYMMETRIC WIDE**  
 15,300 lumens  
 EACL01\_F3AW750\_IES

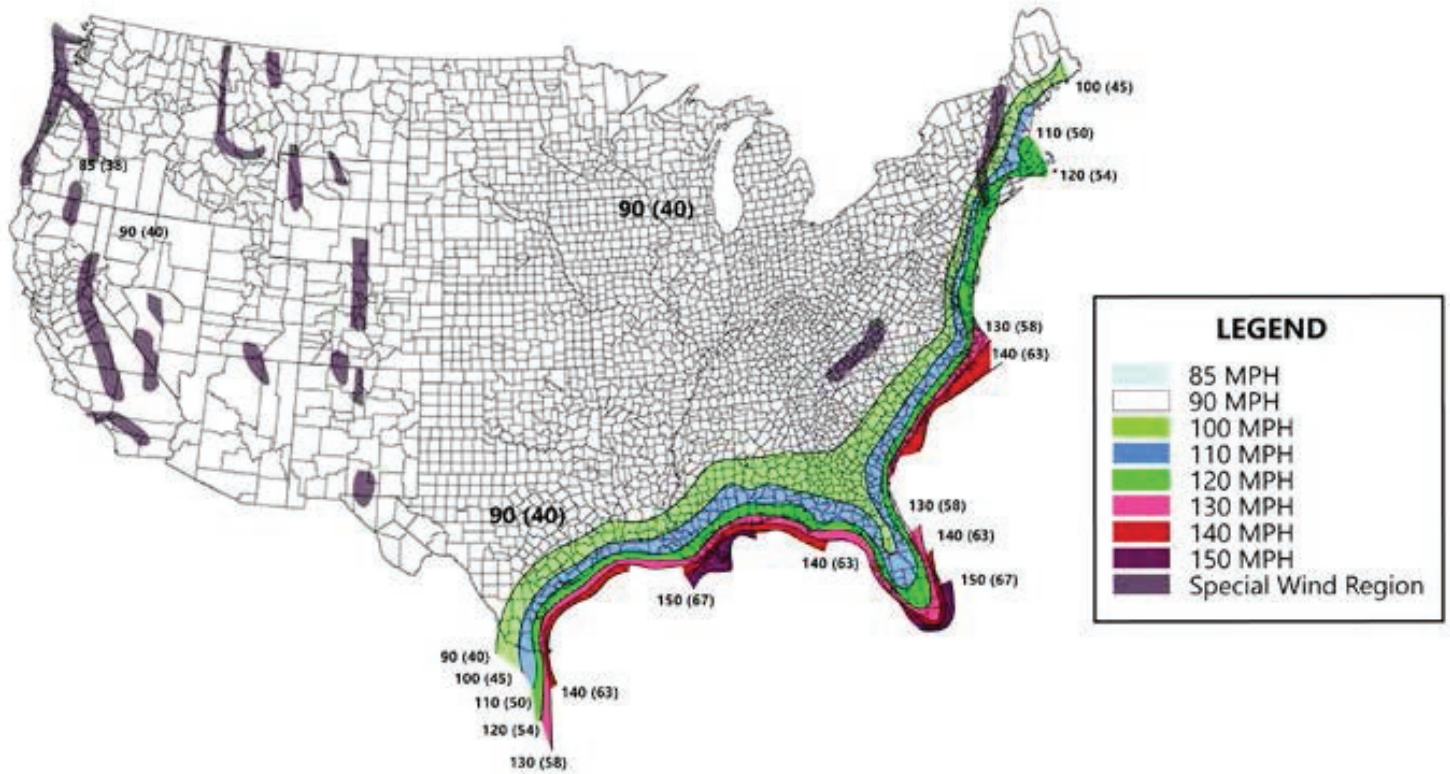


Grid Distance in Units of Mounting Height at 20' Initial Footcandle Values at Grade

— Vertical plane through horizontal angle of maximum candlepower at XX°  
 — Vertical plane through horizontal angle of XX°



# Wind Speed Guidelines



Adapted from the 6th edition AASHTO publication *Standard Specifications for Structural Supports for Highway Signs, Luminaires, and Traffic Signals*, 2013, by the American Association of State Highway and Transportation Officials, Washington, D.C. Used with permission.

**This wind map is a general guide for selection of design wind speeds based on the installation location. Always consult the local Authority Having Jurisdiction (AHJ) to determine the correct design wind speed requirements specific to your region and installation site.**

The wind speed map shown above is adapted from AASHTO LTS Edition 6 2013 showing 50 yr mean recurrence interval values for nominal designs with 3-second gust wind speeds (MPH) at or below 10m (33 ft) above ground for the Exposure C category (i.e. open terrain with scattered obstructions). The wind map can be used to determine the approximate wind speed for your installation location. If your site is located between two different wind speed isotach lines, the higher speed should be used.

This wind map is provided for basic reference only. Current will not be responsible for unusual circumstances where normal wind loads may exceed expectations. Specifier must select appropriate product based on site-specific knowledge of design wind speed requirements.

## Warning

Local geography and conditions, as well as the installation configuration, may impact wind loading and therefore must be considered when selecting a pole. Do not attach banners or other appendages to poles unless designed or approved by Current.