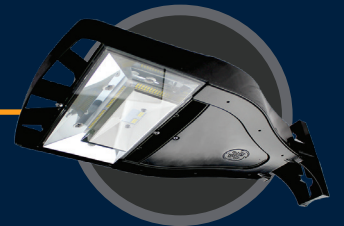




# EVOLVE

## Lighting Poles & Brackets

Designed for Roadway, Area and Decorative Post Tops



# Intro/Product Overview

Current offers steel and aluminum pole and bracket mounting solutions that complement our wide variety of outdoor area lighting and roadway lighting fixtures. Choose from tapered and non-tapered pole designs and heights of up to 60 feet (18 meters).

Many of our poles and brackets also accommodate single or multiple luminaire mounting, giving you greater flexibility in your outdoor lighting design. From sleek and stylish poles for decorative post top lighting fixtures to street lighting poles that have what it takes to provide illumination for roadways over many years.

## Poles Information

**Pole Selection Guidelines**

Page 4

**Wind Speed Map**

Page 5

## Poles Catalog

### Roadway Lighting Poles

RRTA	Roadway Round Tapered Aluminum   20' to 40' (6m to 12m)	Page 6
RRTS	Roadway Round Tapered Steel   20' to 50' (6m to 15m)	Page 8

### Area Lighting Poles

ASSA	Area Square Straight Aluminum   10' to 30' (3m to 9m)	Page 10
ASSS	Area Square Straight Steel   10' to 39' (3m to 12m)	Page 12

### Area and Post-Top Lighting Poles

ARSA	Area Round Straight Aluminum   8' to 30' (3m to 9m)	Page 14
ARSS	Area Round Straight Steel   10' to 39' (3m to 9m)	Page 16

### Area and Flood Lighting Poles

ARTA	Area and Flood Round Tapered Aluminum   20' to 45' (6m to 14m)	Page 18
ARTS	Area and Flood Round Tapered Steel   20' to 60' (6m to 18m)	Page 20
ASHS	Area and Flood Square Hinged Steel   20' to 39' (6m to 12m)	Page 22

### Post-Top Lighting Poles

ARTA	Post Top Round Tapered Aluminum   10' to 20' (3m to 6m)	Page 24
ARTS	Post Top Round Tapered Steel   10' to 20' (3m to 6m)	Page 26

### Decorative Post-Top & Pendant Series Poles

HGTA	Haight- Ashbury™ Round Tapered, Smooth or Fluted Aluminum   10' to 18' (3m to 6m)	Page 28
DWNA	Downing Street™ Round Tapered, Smooth or Fluted Aluminum   10' to 18' (3m to 6m)	Page 29
EMBA	Embarcadero™ Round Straight, Smooth or Fluted Aluminum   10' to 16' (3m to 5m)	Page 30

### Additional Pole Information

Pole Options - Information	Page 32
----------------------------	---------



## Pole Accessories/Brackets/Mountings

### Floodlight Accessories/Brackets/Mounting

FBAP	Floodlighting Brackets for Aluminum Poles with Plate Mount	Page 33
FBSB	Floodlighting Brackets - Steel Bullhorn	Page 34
SPSX	Crossarm Lighting Brackets for Wood Pole	Page 33

### Roadway Accessories/Brackets/Mounting

RBSU	Roadway Brackets - Upsweep Steel for 2-3/8" OD Pole Top Tenons	Page 34
RBSS	Roadway Brackets - Straight Steel for 2-3/8" OD Pole Top Tenons	Page 34
RBA/RBS	Roadway Aluminum or Steel Brackets for Wood Pole Mounting - Aluminum Pipe Brackets	Page 35

### Lighting Accessories/Brackets/Mounting

SF	Floodlight Brackets for Wood Pole Mounting	Page 36
TR	Tenon Reducer Brackets for Pole Top Mounting	Page 36
RTASQ	Removable Tenon Adapter for Square Steel Poles	Page 36
DRAB	Double Right Angle Bracket	Page 36
VT2	Vertical Tenon Bracket	Page 37
RAB	Right Angle Bracket for Square Steel Pole Mounting	Page 37

### Decorative Post-Top & Pendant Series Arms

PTALC	Lancaster Series - Historic Aluminum Twin - Arm Assembly	Page 38
PTASR	South River Series - Historic Aluminum Twin- Arm Assembly	Page 38
PTAWB	Woodbridge Series - Historic Aluminum Twin- Arm Assembly	Page 38

# Pole Selection Guidelines

## GENERAL

A lighting pole must support the weight of the equipment you will mount on it and withstand the effect of the maximum velocity winds to which it will be subjected. Therefore, the basis for selecting poles from this catalog is the weight and Effective Projected Area (EPA) data shown in Pole Selection Tables under the heading "Recommended Total Load." Before choosing a pole, determine the maximum total EPA and the total weight of all luminaires, brackets, signs, decorations, and other equipment that you plan to mount on it. EPA and weight data are given on product and accessory pages.

## EFFECTIVE PROJECTED AREA (EPA)

The formula to calculate the force of wind acting on an object is: projected area of the object X coefficient of drag X velocity pressure of the wind. Effective projected area or EPA is the product of the first two. For example, one luminaire has an projected area of 2.62 square feet and a drag coefficient of 0.57. Its EPA is  $2.62 \times 0.57 = 1.5$  square feet. When mounting a luminaire, the centroid of the effective projected area (approximate center of the luminaire projected area) should be no higher than 18 inches (457mm) above the top of the luminaire mounting tenons.

## Maximum Expected Wind Velocities

Recommended Total Load figures given in Pole Selection Tables are based on specific wind conditions—i.e., certain MPH or miles per hour isotach. The map on the next page gives maximum expected wind velocities in the contiguous United States, based on a 50-year mean recurrence interval. Refer to the map to find the maximum expected wind condition for the area where you will be installing the lighting equipment.

Velocities recorded on the map are expected isotach values, not gust values. Poles are actually designed for maximum gust velocities considerably greater than the MPH given. Design gust velocities include a gust factor of 1.3 and appropriate height factors.

There are some locations where unusual local wind conditions exist. In these areas, wind speeds could be considerably higher than those in the surrounding areas. These may necessitate the use of a greater isotach value than is shown on the map.

## STEP-BY-STEP PROCEDURE FOR SELECTING POLES

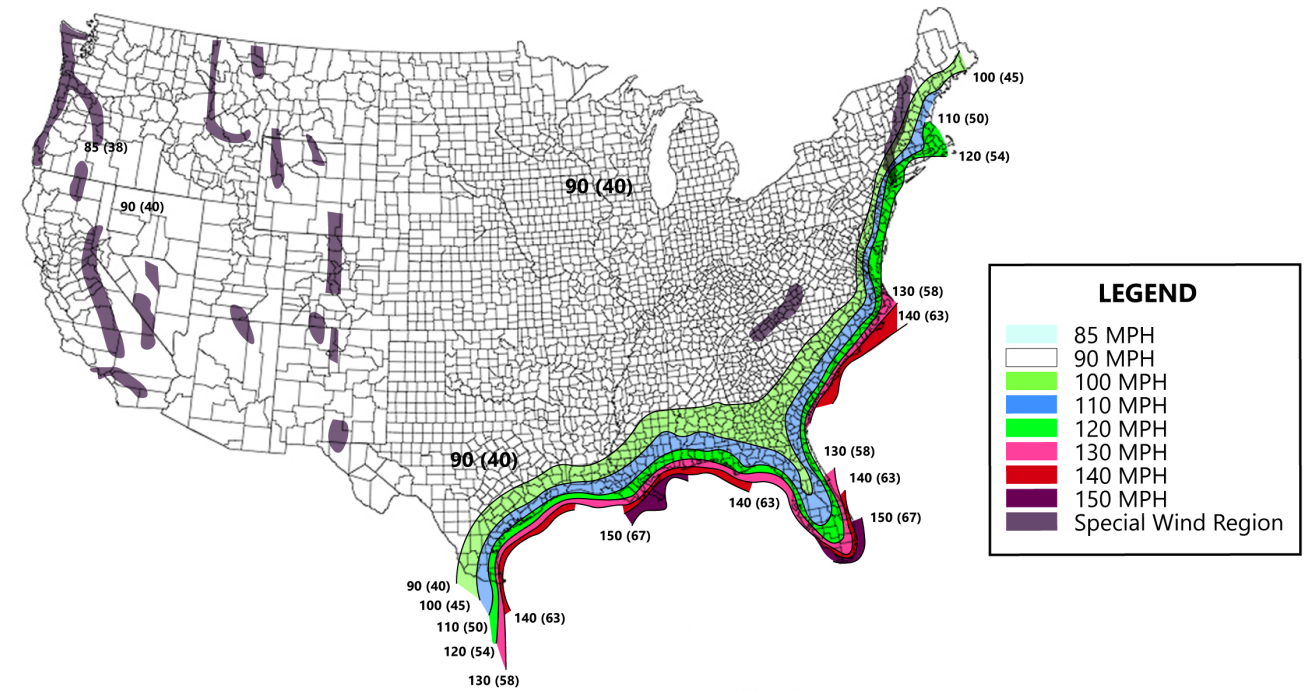
1. Choose the luminaire you plan to use and decide how many will be mounted per pole.
2. Pick an appropriate mounting method, such as:
  - a. A single decorative post top luminaire on a 10 to 20 foot (3 to 6 meter) pole having a 3-inch (76mm) OD top;
  - b. Single or multiple decorative luminaires on arms supplied with the luminaire;
  - c. One or more floodlights on 20 to 60 foot (6 to 18 meter) poles, either singly on a top tenon, or in groups on brackets;
  - d. Roadway luminaires on arms attached to the side of a pole. Pick the correct length and number of arms per pole (one per luminaire).

3. From data on the selected luminaire page, find the weight and EPA of each luminaire. Multiply these numbers by the number of luminaires per pole to determine the total weight and EPA.
4. Scan the pole pages to find a picture of the luminaire you plan to use. These are given at the top of the page under the heading "Applications." Choose an appropriate pole.
5. If brackets are needed, study the pole and accessory pages. Read the weight and EPA for the appropriate bracket.
6. Look up the weight and EPA for any other accessories.
7. Total the weight and EPA of all equipment.
8. Check the wind velocity map to find the MPH of the geographic location where the poles will be installed.
9. Study the Ordering Number Logic so you'll be familiar with the way we've devised our ordering numbers. DO NOT use the logic for ordering: Suggested Ordering Numbers are given in the Selection Tables.
10. Refer to the Selection Table of the pole you've decided to use. Start at the top, because the most economical system will be the first in the tabulation that is appropriate for your application:
  - a. Find the desired nominal mounting height in the first column.
  - b. For roadway poles, pick the desired arm length and number of arms (next two columns).
  - c. In the Recommended Total Loads section, make sure the total weight of the lighting equipment does not exceed the maximum listed.
  - d. Under Effective Projected Area, find the MPH for the mounting location geographic zone. Read the EPA value in the appropriate column and check that the equipment you're using will not exceed this value.
  - e. Read the appropriate Ordering Number from the Selection Table.
11. Refer to the Ordering Number Logic to see if there are any substitutions or options required. Follow the instructions for substitutions. If you wish to include one or more options, add the indicated letter(s) to the end of the listed Ordering Number.
12. If brackets or other accessories are required, refer to appropriate pages and find the correct Ordering Numbers.

### Warning

Consult qualified professionals for verification of your pole, luminaire, accessory, base, and foundation selection. These design methods are guidelines only. Current takes no responsibility for system design.

# WIND SPEED GUIDELINES



Adapted from the 6th edition AASHTO publication *Standard Specifications for Structural Supports for Highway Signs, Luminaires, and Traffic Signals*, 2013, by the American Association of State Highway and Transportation Officials, Washington, D.C. Used with permission.

**This wind map is a general guide for selection of design wind speeds based on the installation location. Always consult the local Authority Having Jurisdiction (AHJ) to determine the correct design wind speed requirements specific to your region and installation site.**

The wind speed map shown above is adapted from AASHTO LTS Edition 6 2013 showing 50 yr mean recurrence interval values for nominal designs with 3-second gust wind speeds (MPH) at or below 10m (33 ft) above ground for the Exposure C category (i.e. open terrain with scattered obstructions). The wind map can be used to determine the approximate wind speed for your installation location. If your site is located between two different wind speed isotach lines, the higher speed should be used.

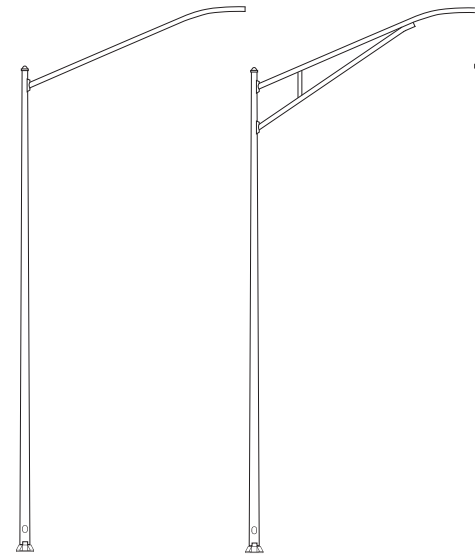
This wind map is provided or basic reference only. GE Current, a Daintree company will not be responsible for unusual circumstances where normal wind loads may exceed expectations. Specifier must select appropriate product based on site-specific knowledge of design wind speed requirements.

### Warning

Local geography and conditions, as well as the installation configuration, may impact wind loading and therefore must be considered when selecting a pole. Do not attach banners or other appendages to poles unless designed or approved by Current.

CUSTOMER NAME \_\_\_\_\_  
 Project Name \_\_\_\_\_  
 Date \_\_\_\_\_ Type \_\_\_\_\_  
 Catalog Number \_\_\_\_\_

### Suggested Luminaire Applications



**Mounting SA**  
(Pole with Single Member Arm)  
Figure 1

**Mounting TA**  
(Pole with Truss Arm)  
Figure 2



SPECIFICATION FEATURES	
• Round Tapered Aluminum Shaft	
• Satin Ground Finish	
• Shaft Lengths from 20 to 40 feet	
• Choices include 1-4 arms	
• Single Member or Truss Arms included	
• Anchor bolts can be shipped either with pole or separately (if separate, please make the request at time of order)	

### Ordering Number Logic (See Pole Selection Table for actual Ordering Numbers)

R R T A

Product Type	Pole Cross Section	Shaft Shape	Pole Material	Nominal Mounting Height (ft)	Mounting	Arm Length (ft)/ Number	Shaft Dimensions		Wall Thickness (in)	Options
							Bottom Shaft OD (in)	Top OD (in)		
R = Roadway	R = Round	T = Tapered	A = Aluminum	20 = 20	SA = Single Member Arm	4S = One 4' Arm	6.0 = 6.0	1 = 4.5	B = 0.188	E = Electrical Festoon Box
				25 = 25	TA = Truss Arm	6S = One 6' Arm	7.0 = 7.0	2 = 6.0	C = 0.219	
				30 = 30		8S = One 8' Arm	8.0 = 8.0		D = 0.250	
				35 = 35		10S = One 10' Arm	10.0 = 10.0		E = 0.312	
				40 = 40		12S = One 12' Arm			F = 0.156	
						15S = One 15' Arm				
						4D = Two 4' Arms				
						6D = Two 6' Arms				
						8D = Two 8' Arms				
						10D = Two 10' Arms				
						12D = Two 12' Arms				
						15D = Two 15' Arms				
						6T = Three 6' Arms				
						6Q = Four 6' Arms				

**NOTE:** Arms are included with poles; two arms at 180°, three at 120°, and four at 90°

**NOTE:** If this option is required add E to ordering number listed in Pole Section Table

**NOTE:** All poles with anchor bolts need to be entered as 2 line items:  
 1. The line item for the Pole ONLY, will be the corresponding pole SKU + "-LAB" (Less Anchor Bolts). Example: RR20XX456.52DE-LAB  
 2. The line item for the Anchor Bolts and Anchor Bolt Template ONLY, will be the corresponding pole SKU + "-BOLT". Example: RR20XX456.52DE-BOLT

## ROADWAY LIGHTING POLES: Round Tapered Aluminum (RRTA)

### 20' to 40' feet (6 to 12 meters)

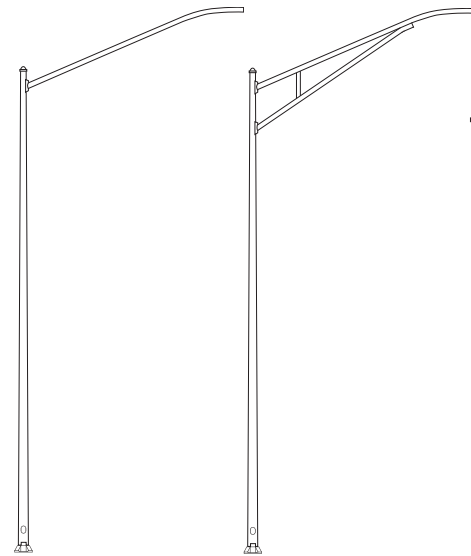
### Pole Selection Table

Ordering Number	Arm Type	Nominal Mounting Height (ft)	Arm Length (ft)	Number of Arms	EA* Weight (lbs)	Effective Projected Area (sq ft)			Bottom OD X Top OD X Length X Thickness (in X in X ft-in x in)	Approx Weight (lbs)
						80 MPH	90 MPH	100 MPH		
RR20SA456.01F	Single Member Arm (Fig. 1)	20	4	1	75	1.5	1.5	1.5	6.0X4.5X18-0X0.156	75
RR20SA656.01F	Single Member Arm (Fig. 1)	20	6	1	71	1.5	1.5	1.5	6.0X4.5X18-0X0.156	80
RR20SA4D6.01B	Single Member Arm (Fig. 1)	20	4	2	75	1.5	1.5	1.5	6.0X4.5X18-0X0.188	85
RR20SA6D6.01B	Single Member Arm (Fig. 1)	20	6	2	71	1.5	1.2	0.7	6.0X4.5X18-0X0.188	105
RR225SA456.01F	Single Member Arm (Fig. 1)	25	4	1	75	1.5	1.5	1.5	6.0X4.5X23-0X0.156	854
RR225SA656.01B	Single Member Arm (Fig. 1)	25	6	1	71	1.5	1.5	1.5	6.0X4.5X23-0X0.188	904
RR225SA856.01B	Single Member Arm (Fig. 1)	25	8	1	53	1.5	1.2	0.7	6.0X4.5X23-0X0.188	954
RR225SA4D6.01B	Single Member Arm (Fig. 1)	25	4	2	75	1.5	1.2	0.7	6.0X4.5X23-0X0.188	130
RR225SA6D7.01B	Single Member Arm (Fig. 1)	25	6	2	71	1.5	1.2	0.7	7.0X4.5X23-0X0.188	125
RR225SA8D7.01B	Single Member Arm (Fig. 1)	25	8	2	53	1.5	1.2	-	7.0X4.5X23-0X0.188	130
RR225SA6T7.01B	Single Member Arm (Fig. 1)	25	6	3	71	1.5	1.5	0.7	7.0X4.5X23-0X0.188	146
RR225SA6Q7.01B	Single Member Arm (Fig. 1)	25	6	4	71	1.2	1.2	0.7	7.0X4.5X23-0X0.188	155
RR230SA457.01F	Single Member Arm (Fig. 1)	30	4	1	75	1.5	1.5	1.5	7.0X4.5X28-0X0.156	137
RR230SA657.01F	Single Member Arm (Fig. 1)	30	6	1	71	1.5	1.5	1.0	7.0X4.5X28-0X0.156	140
RR230SA857.01B	Single Member Arm (Fig. 1)	30	8	1	53	1.5	1.2	0.7	7.0X4.5X28-0X0.188	143
RR230SA8S8.01F	Single Member Arm (Fig. 1)	30	8	1	60	1.5	1.5	1.5	8.0X4.5X28-0X0.156	150
RR230SA4D7.01B	Single Member Arm (Fig. 1)	30	4	2	75	1.5	1.5	0.7	7.0X4.5X28-0X0.188	147
RR230SA6D8.01B	Single Member Arm (Fig. 1)	30	6	2	71	1.5	1.5	0.7	8.0X4.5X28-0X0.188	155
RR230SA8D8.01B	Single Member Arm (Fig. 1)	30	8	2	53	1.5	1.2	-	8.0X4.5X28-0X0.188	160
RR230SA8D8.01C	Single Member Arm (Fig. 1)	30	8	2	75	1.5	1.5	0.7	8.0X4.5X28-0X0.219	180
RR230SA6T8.01B	Single Member Arm (Fig. 1)	30	6	3	71	1.5	1.5	0.7	8.0X4.5X28-0X0.188	176
RR230SA6Q8.01B	Single Member Arm (Fig. 1)	30	6	4	71	1.5	1.5	0.7	8.0X4.5X28-0X0.188	185
RR235SA6S8.01B	Single Member Arm (Fig. 1)	35	6	1	71	1.5	1.5	1.5	8.0X4.5X33-0X0.188	145
RR235SA8S8.01B	Single Member Arm (Fig. 1)	35	8	1	53	1.5	1.2	0.7	8.0X4.5X33-0X0.188	150
RR235SA8S8.01C	Single Member Arm (Fig. 1)	35	8	1	60	1.5	1.5	1.5	8.0X4.5X33-0X0.219	150
RR235SA6D8.01C	Single Member Arm (Fig. 1)	35	6	2	71	1.5	1.5	0.7	8.0X4.5X33-0X0.219	205
RR235SA8D8.01C	Single Member Arm (Fig. 1)	35	8	2	53	1.5	0.7	-	8.0X4.5X33-0X0.219	220
RR235SA8D8.01D	Single Member Arm (Fig. 1)	35	8	2	75	1.5	1.2	-	8.0X4.5X33-0X0.250	255
RR235SA6T8.01D	Single Member Arm (Fig. 1)	35	6	3	71	1.5	1.5	1.2	8.0X4.5X33-0X0.250	278
RR235SA6Q8.01D	Single Member Arm (Fig. 1)	35	6	4	71	1.5	1.5	0.7	8.0X4.5X33-0X0.250	205
RR240SA6S8.01B	Single Member Arm (Fig. 1)	40	6	1	68	1.5	1.5	0.7	8.0X4.5X38-0X0.188	205
RR240SA8S8.01B	Single Member Arm (Fig. 1)	40	8	1	53	1.5	1.2	-	8.0X4.5X38-0X0.188	274
RR240SA8S8.01C	Single Member Arm (Fig. 1)	40	8	1	68	1.5	1.5	1.2	8.0X4.5X38-0X0.219	225
RR240SA6D10.02B	Single Member Arm (Fig. 1)	40	6	2	71	1.5	1.5	-	10.0X6.0X38-0X0.188	235
RR240SA8D10.02B	Single Member Arm (Fig. 1)	40	8	2	53	1.5	1.2	-	10.0X6.0X38-0X0.188	325
RR240SA8D10.02C	Single Member Arm (Fig. 1)	40	8	2	75	1.5	1.5	0.7	10.0X6.0X38-0X0.219	275
RR240SA6T10.02B	Single Member Arm (Fig. 1)	40	6	3	71	1.5	1.5	-	10.0X6.0X38-0X0.188	320
RR240SA6Q10.02B	Single Member Arm (Fig. 1)	40	6	4	71	1.5	1.5	-	10.0X6.0X38-0X0.188	332
RR225TA10S8.01F	Truss Arm (Fig. 2)	25	10	1	68	1.5	1.5	1.2	8.0X4.5X22-2X0.156	140
RR225TA12S8.01B	Truss Arm (Fig. 2)	25	12	1	62	1.5	1.5	1.2	8.0X4.5X22-2X0.188	150
RR230TA10S8.01F	Truss Arm (Fig. 2)	30	10	1	60	1.5	1.2	0.7	8.0X4.5X27-2X0.156	165
RR230TA12S8.02B	Truss Arm (Fig. 2)	30	12	1	47	1.5	1.5	0.7	8.0X4.5X27-2X0.188	170
RR230TA12S8.02B	Truss Arm (Fig. 2)	30	12	1	75	1.5	1.5	0.7	8.0X6.0X27-2X0.188	180
RR235TA12S8.01B	Truss Arm (Fig. 2)	35	12	1	53	1.5	1.5	-	8.0X4.5X32-2X0.188	185
RR230TA15S8.02B	Truss Arm (Fig. 2)	30	15	1	75	1.5	1.5	-	8.0X6.0X27-2X0.188	190
RR225TA10D8.01C	Truss Arm (Fig. 2)	25	10	2	75	1.5	1.5	1.2	8.0X4.5X22-2X0.219	190
RR235TA10S8.02B	Truss Arm (Fig. 2)	35	10	1	68	1.2	0.7	-	8.0X6.0X32-2X0.188	205
RR235TA12S8.02B	Truss Arm (Fig. 2)	35	12	1	75	1.5	1.2	-	8.0X6.0X32-2X0.188	205
RR225TA12D8.01C	Truss Arm (Fig. 2)	25	12	2	75	1.5	1.5	-	8.0X4.5X22-2X0.219	205
RR230TA12D8.01D	Truss Arm (Fig. 2)	30	12	2	75	1.5	1.2	-	8.0X4.5X22-2X0.250	220
RR235TA15S8.02C	Truss Arm (Fig. 2)	35	15	1	75	1.5	1.2	-	8.0X6.0X32-2X0.219	240
RR230TA12D8.02D+	Truss Arm (Fig. 2)	30	12	2	75	1.5	1.5	1.5	8.0X4.5X27-2X0.250+	240
RR230TA10D8.01D	Truss Arm (Fig. 2)	30	10	2	75	1.5	1.2	0.7	8.0X4.5X27-2X0.250	250
RR235TA12D8.01D+	Truss Arm (Fig. 2)	35	12	2	75	1.5	1.5	-	8.0X4.5X32-2X0.250+	255
RR240TA12S8.01D	Truss Arm (Fig. 2)	40	12	1	53	1.5	1.5	-	8.0X4.5X37-2X0.250	260
RR230TA15D8.01D+	Truss Arm (Fig. 2)	30	15	2	75	1.5	1.5	-	8.0X4.5X27-2X0.250+	260
RR235TA15S8.02D	Truss Arm (Fig. 2)	35	15	1	75	1.5	1.5	-	8.0X6.0X32-2X0.250	265
RR235TA10D10.02B	Truss Arm (Fig. 2)	35	10	2	75	1.5	1.5	-	10.0X6.0X32-2X0.188	270
RR240TA15S10.02D	Truss Arm (Fig. 2)	40	15	1	75	1.5	1.5	-	10.0X6.0X37-2X0.250	275
RR240TA10S8.02D	Truss Arm (Fig. 2)	40	10	1	75	1.5	1.5	-	8.0X6.0X37-2X0.250	280
RR240TA12S8.02D	Truss Arm (Fig. 2)	40	12	1	75	1.5	1.5	-	8.0X6.0X37-2X0.250	295
RR235TA15S10.02D	Truss Arm (Fig. 2)	35	15	2	75	1.5	1.5	-	10.0X6.0X32-2X0.250	330
RR240TA12S10.02D	Truss Arm (Fig. 2)	40	12	2	75	1.5	1.2	-	10.0X6.0X37-2X0.250	360
RR240TA10S10.02D	Truss Arm (Fig. 2)	40	10	2	75	1.5	1.5	-	10.0X6.0X37-2X0.250	370
RR240TA15S10.02D	Truss Arm (Fig. 2)	40	15	2	75	1.5	-	-	10.0X6.0X37-2X0.250	460

\* EA = Each Arm

CUSTOMER NAME \_\_\_\_\_  
 Project Name \_\_\_\_\_  
 Date \_\_\_\_\_ Type \_\_\_\_\_  
 Catalog Number \_\_\_\_\_

### Suggested Luminaire Applications



Mounting SA  
(Pole with Single Member Arm)  
Figure 1

Mounting TA  
(Pole with Truss Arm)  
Figure 2



SPECIFICATION FEATURES	
• Round Tapered Steel Shaft	
• Prime painted or galvanized finish	
• Shaft Lengths from 20 to 50 feet	
• Choices include 1-4 arms	
• Single Member or Truss Arms included	
• Anchor bolts can be shipped either with pole or separately (if separate, please make the request at time of order)	

### Ordering Number Logic (See Pole Selection Table for actual Ordering Numbers)

R R T S

Product Type	Pole Cross Section	Shaft Shape	Pole Material	Nominal Mounting Height (ft)	Mounting	Arm Length (ft)/ Number	Shaft Dimensions		Finish	Options	
							Bottom Shaft OD (in)	Gauge			
R = Roadway	R = Round	T = Tapered	S = Steel	20 = 20	SA = Single Member Arm	4S = One 4' Arm	6.5 = 6.5	7 = 7	GV = Galvanized	E = Electrical Festocon Box	
				25 = 25	TA = Truss Arm	6S = One 6' Arm	7.0 = 7.0	10 = 10	PP = Prime Painted		
				30 = 30		8S = One 8' Arm	7.5 = 7.5	11 = 11			
				35 = 35		10S = One 10' Arm	8.0 = 8.0				
				40 = 40		12S = One 12' Arm	8.5 = 8.5				
				45 = 45*		15S = One 15' Arm	9.0 = 9.0				
				50 = 50*		4D = Two 4' Arms	9.5 = 9.5				
						6D = Two 6' Arms	10.0 = 10.0				
						8D = Two 8' Arms	10.5 = 10.5				
						10D = Two 10' Arms					
						12D = Two 12' Arms					
						15D = Two 15' Arms					
		6T = Three 6' Arms									
		6Q = Four 6' Arms									
				<b>NOTE:</b> *Shaft over 40 ft may be two piece with overlapping joint (upper portion 11 gauge, lower portion gauge as listed)				<b>NOTE:</b> Arms are included with poles; Two arms at 180°, three at 120°, and four at 90°		<b>NOTE:</b> If galvanized finish is required substitute GV for PP in ordering number given in Pole Selection Table	<b>NOTE:</b> If this option is required add E to ordering number listed in Pole Section Table

NOTE : All poles with anchor bolts need to be entered as 2 line items:

1. The line item for the Pole ONLY, will be the corresponding pole SKU + "-LAB" (Less Anchor Bolts). Example: RRTS20XX456.57GV-LAB

2. The line item for the Anchor Bolts and Anchor Bolt Template ONLY, will be the corresponding pole SKU + "-BOLT." Example: RRTS20XX456.57GV-BOLT

### ROADWAY LIGHTING POLES: Round Tapered Steel (RTS)

20' to 50' feet (6 to 15 meters)

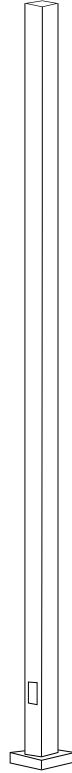
#### Pole Selection Table

Ordering Number	Arm Type	Nominal Mounting Height (ft)	Arm Length (ft)	Number of Arms	EA* Weight (lbs)	EA* Effective Projected Area (sq ft)	MAX Isotach Zone (MPHI)	Bottom OD X Top OD X Length X Thickness (in X in X ft-in x in)	Approx Weight (lbs)
RRTS20SA456.511PP	Single Member Arm (Fig. 1)	20	4	1	75	1.5 EPA EA	110	6.5 X 4.2 X 17-0 X 11	141
RRTS20SA656.511PP	Single Member Arm (Fig. 1)	20	6	1	75	1.5 EPA EA	110	6.5 X 4.2 X 17-0 X 11	151
RRTS25SA457.011PP	Single Member Arm (Fig. 1)	25	4	1	75	1.5 EPA EA	110	7.0 X 4.0 X 22-0 X 11	180
RRTS25SA657.011PP	Single Member Arm (Fig. 1)	25	6	1	75	1.5 EPA EA	110	7.0 X 4.0 X 22-0 X 11	190
RRTS25SA857.011PP	Single Member Arm (Fig. 1)	25	8	1	60	1.5 EPA EA	110	7.0 X 4.0 X 22-0 X 11	200
RRTS30SA457.511PP	Single Member Arm (Fig. 1)	30	4	1	75	1.5 EPA EA	110	7.5 X 3.8 X 27-0 X 11	275
RRTS30SA657.511PP	Single Member Arm (Fig. 1)	30	6	1	75	1.5 EPA EA	110	7.5 X 3.8 X 27-0 X 11	285
RRTS30SA857.511PP	Single Member Arm (Fig. 1)	30	8	1	60	1.5 EPA EA	110	7.5 X 3.8 X 27-0 X 11	295
RRTS35SA658.011PP	Single Member Arm (Fig. 1)	35	6	1	75	1.5 EPA EA	110	8.0 X 3.6 X 32-0 X 11	330
RRTS35SA858.011PP	Single Member Arm (Fig. 1)	35	8	1	60	1.5 EPA EA	110	8.0 X 3.6 X 32-0 X 11	340
RRTS40SA659.011PP	Single Member Arm (Fig. 1)	40	6	1	75	1.5 EPA EA	110	9.0 X 3.9 X 37-0 X 11	401
RRTS40SA859.011PP	Single Member Arm (Fig. 1)	40	8	1	60	1.5 EPA EA	110	9.0 X 3.9 X 37-0 X 11	411
RRTS20SA4D6.511PP	Single Member Arm (Fig. 1)	20	4	2	75	1.5 EPA EA	110	6.5 X 4.2 X 17-0 X 11	171
RRTS20SA6D6.511PP	Single Member Arm (Fig. 1)	20	6	2	75	1.5 EPA EA	110	6.5 X 4.2 X 17-0 X 11	186
RRTS25SA4D7.011PP	Single Member Arm (Fig. 1)	25	4	2	75	1.5 EPA EA	110	7.0 X 4.0 X 22-0 X 11	210
RRTS25SA6D7.011PP	Single Member Arm (Fig. 1)	25	6	2	75	1.5 EPA EA	110	7.0 X 4.0 X 22-0 X 11	225
RRTS25SA8D7.011PP	Single Member Arm (Fig. 1)	25	8	2	60	1.5 EPA EA	110	7.0 X 4.0 X 22-0 X 11	240
RRTS30SA4D7.511PP	Single Member Arm (Fig. 1)	30	4	2	75	1.5 EPA EA	110	7.5 X 3.8 X 27-0 X 11	305
RRTS30SA6D7.511PP	Single Member Arm (Fig. 1)	30	6	2	75	1.5 EPA EA	110	7.5 X 3.8 X 27-0 X 11	320
RRTS30SA8D7.511PP	Single Member Arm (Fig. 1)	30	8	2	60	1.5 EPA EA	110	7.5 X 3.8 X 27-0 X 11	335
RRTS35SA6D8.011PP	Single Member Arm (Fig. 1)	35	6	2	75	1.5 EPA EA	110	8.0 X 3.6 X 32-0 X 11	370
RRTS35SA8D8.011PP	Single Member Arm (Fig. 1)	35	8	2	60	1.5 EPA EA	110	8.0 X 3.6 X 32-0 X 11	385
RRTS40SA6D9.011PP	Single Member Arm (Fig. 1)	40	6	2	75	1.5 EPA EA	110	9.0 X 3.9 X 37-0 X 11	436
RRTS40SA8D9.011PP	Single Member Arm (Fig. 1)	40	8	2	60	1.5 EPA EA	110	9.0 X 3.9 X 37-0 X 11	456
RRTS25SA6T7.011PP	Single Member Arm (Fig. 1)	25	6	3	75	1.5 EPA EA	110	7.0 X 4.0 X 22-0 X 11	262
RRTS30SA6T7.511PP	Single Member Arm (Fig. 1)	30	6	3	75	1.5 EPA EA	110	7.5 X 3.8 X 27.0 X 11	326
RRTS35SA6T8.011PP	Single Member Arm (Fig. 1)	35	6	3	75	1.5 EPA EA	110	8.0 X 3.6 X 32-0 X 11	371
RRTS40SA6T9.011PP	Single Member Arm (Fig. 1)	40	6	3	75	1.5 EPA EA	110	9.0 X 3.9 X 37-0 X 11	447
RRTS25SA6Q7.011PP	Single Member Arm (Fig. 1)	25	6	4	75	1.5 EPA EA	110	7.0 X 4.0 X 22-0 X 11	355
RRTS30SA6Q7.511PP	Single Member Arm (Fig. 1)	30	6	4	75	1.5 EPA EA	110	7.5 X 3.8 X 27.0 X 11	395
RRTS35SA6Q8.011PP	Single Member Arm (Fig. 1)	35	6	4	75	1.5 EPA EA	100	8.0 X 3.6 X 32-0 X 11	445
RRTS40SA6Q9.011PP	Single Member Arm (Fig. 1)	40	6	4	75	1.5 EPA EA	100	9.0 X 3.9 X 37-0 X 11	490
RRTS25TA10S6.511PP	Truss Arm (Fig. 2)	25	10	1	75	1.5 EPA EA	110	6.5 X 3.7 X 20-0 X 11	256
RRTS25TA12S6.511PP	Truss Arm (Fig. 2)	25	12	1	62	1.5 EPA EA	110	6.5 X 3.7 X 20-0 X 11	265
RRTS30TA10S7.011PP	Truss Arm (Fig. 2)	30	10	1	63	1.5 EPA EA	110	7.0 X 3.5 X 25-0 X 11	295
RRTS30TA12S7.011PP	Truss Arm (Fig. 2)	30	12	1	60	1.6 EPA EA	100	7.0 X 3.5 X 25-0 X 11	304
RRTS30TA15S7.011PP	Truss Arm (Fig. 2)	30	15	1	60	1.5 EPA EA	100	7.5 X 4.0 X 25-0 X 11	380
RRTS35TA10S8.011PP	Truss Arm (Fig. 2)	35	10	1	75	1.5 EPA EA	110	8.0 X 3.8 X 30-0 X 11	361
RRTS35TA12S8.011PP	Truss Arm (Fig. 2)	35	12	1	60	1.5 EPA EA	100	8.0 X 3.8 X 30-0 X 11	370
RRTS35TA15S8.011PP	Truss Arm (Fig. 2)	35	15	1	60	1.5 EPA EA	90	8.5 X 4.3 X 30-0 X 11	450
RRTS40TA12S8.511PP	Truss Arm (Fig. 2)	40	12	1	60	1.5 EPA EA	90	8.5 X 3.8 X 33-6 X 11	435
RRTS40TA15S9.011PP	Truss Arm (Fig. 2)	40	15	1	60	1.5 EPA EA	90	9.0 X 4.3 X 33-6 X 11	480
RRTS45TA12S9.511PP	Truss Arm (Fig. 2)	45	12	1	64	1.5 EPA EA	90	9.5 X 4.1 X 38-6 X 11	510
RRTS45TA15S10.011PP	Truss Arm (Fig. 2)	45	15	1	62	1.5 EPA EA	90	10.0 X 4.6 X 38-6 X 11	567
RRTS50TA15S10.510PP	Truss Arm (Fig. 2)	50	15	1	60	1.5 EPA EA	90	10.5 X 4.4 X 43-6 X 10	900
RRTS25TA10D6.511PP	Truss Arm (Fig. 2)	25	10	2	75	1.5 EPA EA	90	6.5 X 3.7 X 20-0 X 11	327
RRTS25TA12D6.511PP	Truss Arm (Fig. 2)	25	12	2	75	1.5 EPA EA	90	6.5 X 3.7 X 20-0 X 11	344
RRTS30TA10D7.011PP	Truss Arm (Fig. 2)	30	10	2	75	1.5 EPA EA	90	7.0 X 3.5 X 25-0 X 11	366
RRTS30TA12D7.511PP	Truss Arm (Fig. 2)	30	12	2	75	1.6 EPA EA	90	7.5 X 4.0 X 25-0 X 11	475
RRTS30TA15D8.011PP	Truss Arm (Fig. 2)	30	15	2	75	1.5 EPA EA	90	8.0 X 4.5 X 25-0 X 11	535
RRTS35TA10D8.011PP	Truss Arm (Fig. 2)	35	10	2	75	1.5 EPA EA	90	8.0 X 3.8 X 30-0 X 11	413
RRTS35TA12D8.511PP	Truss Arm (Fig. 2)	35	12	2	75	1.5 EPA EA	90	8.5 X 4.3 X 30-0 X 11	545
RRTS35TA15D9.011PP	Truss Arm (Fig. 2)	35	15	2	75	1.5 EPA EA	90	9.0 X 4.8 X 30-0 X 11	615
RRTS40TA12D9.511PP	Truss Arm (Fig. 2)	40	12	2	75	1.5 EPA EA	90	9.5 X 4.8 X 33-6 X 11	586
RRTS40TA15D10.011PP	Truss Arm (Fig. 2)	40	15	2	75	1.5 EPA EA	90	10.0 X 5.3 X 33-6 X 11	661
RRTS45TA12D10.510PP	Truss Arm (Fig. 2)	45	12	2	75	1.5 EPA EA	90	10.5 X 5.1 X 38-6 X 10	860
RRTS45TA15D10.510PP	Truss Arm (Fig. 2)	45	15	2	75	1.5 EPA EA	90	10.5 X 5.1 X 38-6 X 10	912
RRTS50TA15D10.07PP	Truss Arm (Fig. 2)	50	15	2	75	1.5 EPA EA	90	10.0 X 3.9 X 43-6 X 7	939

\* EA = Each Arm

CUSTOMER NAME \_\_\_\_\_  
 Project Name \_\_\_\_\_  
 Date \_\_\_\_\_ Type \_\_\_\_\_  
 Catalog Number \_\_\_\_\_

### Suggested Luminaire Applications



**EACL**



**EALS**



#### SPECIFICATION FEATURES

- Square Straight Aluminum Shaft
- Dark Bronze finish is Standard
- Shaft Lengths from 10 to 30 feet
- Pole comes drilled as specified for single or multiple Luminaires
- Top Tenon is an available option
- Shipped with Pole: Handhole and Cover, Electrical Grounding Kit and Pole is spirally wrapped with rip cord removal system
- Anchor bolts can be shipped either with pole or separately (if separate, please make the request at time of order)

### Ordering Number Logic (See Pole Selection Table for actual Ordering Numbers)

**A S S A**

Product Type	Pole Cross Section	Shaft Shape	Pole Material	Nominal Mounting Height (ft)	Mounting	Shaft Dimensions		Finish
						Width (in X in)	Wall Thickness (in)	
A = Area	S = Square	S = Straight	A = Aluminum	10 = 10	DB = Drill holes for mounting two luminaires at 90°	4 = 4 x 4	A = 0.125	DB = Dark Bronze (Standard)
				12 = 12	DO = Drill holes for mounting two luminaires at 180°	5 = 5 x 5	B = 0.188	SN = Satin Anodized
				14 = 14	DQ = Drill holes for four Luminaires	6 = 6 x 6	D = 0.250	
				15 = 15	SD = Drill Holes for single luminaire			
				18 = 18	TB = Drill holes for three Luminaires at 90°			
				20 = 20	TD = Drill holes for three Luminaires at 120°			
				25 = 25	2T = 2-3/8 in. OD top tenon			
				30 = 30	3T = 3 in. OD top tenon			
					<i>NOTE: Substitute required mounting designation for ** in ordering number listed in Selection Table.</i>			<i>NOTE: If other than a standard finish is required, substitute SN for DB in Ordering Number listed in Pole Selection Table.</i>

NOTE : All poles with anchor bolts need to be entered as 2 line items:

1. The line item for the Pole ONLY, will be the corresponding pole SKU + "-LAB" (Less Anchor Bolts). Example: ASSA10XX4ADB-LAB

2. The line item for the Anchor Bolts and Anchor Bolt Template ONLY, will be the corresponding pole SKU + "-BOLT". Example: ASSA10XX4ADB-BOLT

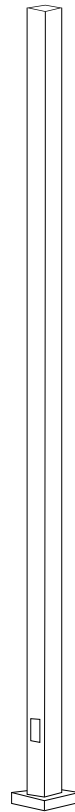
### AREA LIGHTING POLES: Square Straight Aluminum (ASSA) 10' to 30' feet (3 to 9 meters)

#### Pole Selection Table

Ordering Number	Nominal Mounting Height (ft)	Total Luminaire Weight (lbs)	Shaft Width (in x in)	Wall Thickness (in)	Effective Projected Area (sq ft)			Bottom OD X Top OD X Length X Thickness (in X in X ft-in x in)
					80 MPH	90 MPH	100 MPH	
ASSA10**4ADB	10	100	4 x 4	0.125	10.5	8.2	6.4	36
ASSA12**4ADB	12	100	4 x 4	0.125	8.2	6.2	4.8	41
ASSA14**4ADB	14	85	4 x 4	0.125	6.3	4.7	3.3	46
ASSA15**4BDB	15	100	4 x 4	0.188	9.3	7.1	6.2	67
ASSA18**4BDB	18	80	4 x 4	0.188	5.8	4.2	2.9	78
ASSA18**4DDB	18	100	4 x 4	0.250	8.6	5.8	4.1	96
ASSA20**4BDB	20	50	4 x 4	0.188	4.8	3.1	-	85
ASSA20**4DDB	20	90	4 x 4	0.250	6.9	4.8	3.3	105
ASSA20**5BDB	20	100	5 x 5	0.188	8.4	6	4.2	105
ASSA20**5DDB	20	100	5 x 5	0.250	12.8	9.1	6.8	132
ASSA25**5BDB	25	60	5 x 5	0.188	4.7	2.7	-	124
ASSA25**5DDB	25	100	5 x 5	0.250	7.8	5.2	3.3	160
ASSA25**6DDB	25	100	6 x 6	0.250	13.1	9.3	6.4	199
ASSA30**6DDB	30	25	6 x 6	0.250	7.8	4.2	2.4	235

CUSTOMER NAME \_\_\_\_\_  
 Project Name \_\_\_\_\_  
 Date \_\_\_\_\_ Type \_\_\_\_\_  
 Catalog Number \_\_\_\_\_

### Suggested Luminaire Applications



EACL



EALS



SPECIFICATION FEATURES	
•	Square Straight Steel Shaft
•	Dark Bronze Powdercoat finish is Standard
•	Shaft Lengths from 10 to 39 feet
•	Pole comes drilled as specified for single or multiple Luminaires
•	Top Tenon is an available option
•	Shipped with Pole: Handhole and Cover, Electrical Grounding Kit and Pole is spirally wrapped with rip cord removal system
•	Anchor bolts can be shipped either with pole or separately (if separate, please make the request at time of order)

### Ordering Number Logic (See Pole Selection Table for actual Ordering Numbers)

A S S S

Product Type	Pole Cross Section	Shaft Shape	Pole Material	Nominal Mounting Height (ft)	Mounting	Shaft Dimensions		Finish
						Width (in X in)	Gauge	
A = Area	S = Square	S = Straight	S = Steel	10 = 10	DB = Drill holes for mounting two luminaires at 90°	4 = 4 x 4	7 = 7	DB = Dark Bronze (Standard)
				12 = 12	DO = Drill holes for mounting two luminaires at 180°	5 = 5 x 5	11 = 11	BL = Black
				14 = 14	DQ = Drill holes for four Luminaires	6 = 6 x 6		
				16 = 16	SD = Drill Holes for single luminaire			
				18 = 18	TB = Drill holes for three Luminaires at 90°			
				20 = 20	TD = Drill holes for three Luminaires at 120°			
				24 = 24	TT = 2-3/8 in. OD top tenon			
				30 = 30				
				35 = 35				
				39 = 39				
					<b>NOTE:</b> Substitute required mounting designation for ** in ordering number listed in Selection Table.			<b>NOTE:</b> If other than Dark Bronze finish is required, substitute designation for DB in Ordering Number

NOTE: All poles with anchor bolts need to be entered as 2 line items:

1. The line item for the Pole ONLY, will be the corresponding pole SKU + "-LAB" (Less Anchor Bolts). Example: ASSS10XX47DB-LAB

2. The line item for the Anchor Bolts and Anchor Bolt Template ONLY, will be the corresponding pole SKU + "-BOLT." Example: ASSS10XX47DB-BOLT

### AREA LIGHTING POLES : Square Straight Steel (ASSS) 10' to 39' (3m to 12m)

#### Pole Selection Table

Ordering Number	Nominal Mounting Height (ft)	Shaft Size (In x in)	Wall Gauge	Total Luminaire Weight (lbs)	Effective Projected Area (sq ft)			Approximate Ship Weight (lbs)
					80 MPH	90 MPH	100 MPH	
ASSS10**411DB	10	4 x 4	11	320	30.6	23.8	18.9	111
ASSS12**411DB	12	4 x4	11	285	24.4	18.8	14.8	123
ASSS14**411DB	14	4 x4	11	255	19.9	15.1	11.7	135
ASSS15**411DB	15	4 x 4	11	245	15.9	11.8	8.9	130
ASSS16**411DB	16	4 x 4	11	235	15.9	11.8	8.9	146
ASSS18**411DB	18	4 x 4	11	215	12.6	9.2	6.7	158
ASSS20**411DB	20	4 x 4	11	200	9.6	6.7	4.5	162
ASSS20**47DB	20	4 x 4	7	235	15.9	12.5	10.1	244
ASSS20**57DB	20	5 x 5	7	240	28.1	21.4	16.2	265
ASSS20**511DB	20	5 x5	11	330	17.7	12.7	9.4	185
ASSS25**411DB	25	4 x 4	11	200	4.8	2.6	1.0	191
ASSS25**47DB	25	4 x4	7	200	10.8	7.7	5.4	273
ASSS25**57DB	25	5 x 5	7	205	18.5	13.3	9.5	395
ASSS25**511DB	25	5 x 5	11	260	9.8	6.3	3.7	241
ASSS30**511DB	30	5 x 5	11	200	4.7	2.0	--	263
ASSS30**57DB	30	5 x 5	7	215	10.7	6.7	3.9	480
ASSS30**67DB	30	6 x6	7	275	19.0	13.2	9.0	558
ASSS35**57DB	35	5 x 5	7	200	5.9	2.5	--	490
ASSS35**67DB	35	6 x 6	7	220	12.4	7.6	4.2	633
ASSS39**67DB	39	6 x 6	7	200	7.2	3.0	--	693

CUSTOMER NAME \_\_\_\_\_

Project Name \_\_\_\_\_

Date \_\_\_\_\_ Type \_\_\_\_\_

Catalog Number \_\_\_\_\_

### Suggested Luminaire Applications



EALS



EPAM

SPECIFICATION FEATURES	
•	Round Straight (non-tapered) Aluminum Shaft
•	Dark Bronze finish is Standard
•	Shaft Lengths from 8 to 30 feet
•	Single or Multiple Luminaire Mounting
•	Top tenon choice
•	Shipped with Pole: Handhole and Cover, Electrical Grounding Kit and Pole is spirally wrapped with rip cord removal system
•	Anchor bolts can be shipped either with pole or separately (if separate, please make the request at time or order)

### Ordering Number Logic (See Pole Selection Table for actual Ordering Numbers)

A R S A

Product Type	Pole Cross Section	Shaft Shape	Pole Material	Nominal Mounting Height (ft)	Mounting	Shaft Dimensions		Finish
						Bottom Shaft OD (in)	Wall Thickness (in)	
A = Area	R = Round	S = Straight	A = Aluminum	08 = 8	DB = Drill holes for mounting two luminaires at 90°	4 = 4	A = 0.125	BL = Black
				10 = 10	DO = Drill holes for mounting two luminaires at 180°	5 = 5	B = 0.188	DB = Dark Bronze Powder Coat (Standard)
				12 = 12	DQ = Drill holes for four Luminaires	6 = 6	F = 0.156	SN = Satin Finish
				14 = 14	SD = Drill Holes for single luminaire			WH = White
				16 = 16	TB = Drill holes for three Luminaires at 90°			
				18 = 18	TD = Drill holes for three Luminaires at 120°			
				20 = 20	2T = 2-3/8 in. OD top tenon			
				25 = 25	3T = 3 in. OD top tenon			
				30 = 30				
					<b>NOTE:</b> Substitute required mounting designation for ** in ordering number listed in Selection Table.			<b>NOTE:</b> If other than dark bronze finish is required, substitute designation for DB in Ordering Number

NOTE: All poles with anchor bolts need to be entered as 2 line items:

1. The line item for the Pole ONLY, will be the corresponding pole SKU + "-LAB" (Less Anchor Bolts). Example: ARSA10XX4ADB-LAB

2. The line item for the Anchor Bolts and Anchor Bolt Template ONLY, will be the corresponding pole SKU + "-BOLT". Example: ARSA10XX4ADB-BOLT

## AREA AND POST-TOP LIGHTING POLES: Round Straight Aluminum (ARSA)

8' to 30' feet (2 to 9 meters)

### Pole Selection Table

Ordering Number	Nominal Mounting Height (ft)	Shaft Size OD (in)	Wall Thickness (in)	Maximum Luminaire Weight (lbs)	Effective Projected Area (sq ft)			Approximate Ship Weight (lbs)
					80 MPH	90 MPH	100 MPH	
ARSA08**4ADB	8	4	0.125	100	9.0	7.0	5.6	25
ARSA10**4ADB	10	4	0.125	100	7.0	5.3	4.1	27
ARSA10**5ADB	10	5	0.125	100	11.0	9.3	7.5	31
ARSA12**4ADB	12	4	0.125	70	4.3	3.2	2.4	30
ARSA12**5ADB	12	5	0.125	100	7.6	5.9	4.8	36
ARSA12**5FDB	12	5	0.156	100	9.7	7.6	6.1	42
ARSA12**5BDB	12	5	0.188	100	11.8	9.4	7.5	50
ARSA14**4ADB	14	4	0.125	40	3.4	2.4	1.7	33
ARSA14**5ADB	14	5	0.125	100	6.0	4.7	3.8	40
ARSA14**5FDB	14	5	0.156	100	7.9	6.2	5.0	46
ARSA14**5BDB	14	5	0.188	100	9.8	7.6	6.2	54
ARSA16**4ADB	16	4	0.125	40	2.4	1.5	0.9	36
ARSA16**5ADB	16	5	0.125	100	4.6	3.6	2.9	44
ARSA16**5FDB	16	5	0.156	100	6.2	4.9	3.9	50
ARSA16**5BDB	16	5	0.188	100	7.9	6.2	5.0	58
ARSA16**6FDB	16	6	0.156	100	10.5	8.2	6.6	63
ARSA16**6BDB	16	6	0.188	100	13.0	10.2	8.2	74
ARSA18**5ADB	18	5	0.125	60	3.5	2.6	2.0	48
ARSA18**5FDB	18	5	0.156	100	4.9	3.8	3.0	54
ARSA18**5BDB	18	5	0.188	100	6.3	4.9	4.0	62
ARSA18**6BDB	18	6	0.188	100	10.9	8.5	6.9	83
ARSA20**5ADB	20	5	0.125	40	2.5	1.8	1.3	52
ARSA20**5FDB	20	5	0.156	60	3.7	2.8	2.2	58
ARSA20**5BDB	20	5	0.188	95	5.0	3.8	3.0	66
ARSA20**6FDB	20	6	0.156	100	7.2	5.6	4.5	77
ARSA20**6BDB	20	6	0.188	100	9.1	7.2	5.7	91
ARSA25**6FDB	25	6	0.156	100	4.2	3.2	2.4	94
ARSA25**6BDB	25	6	0.188	100	5.8	4.4	3.4	111
ARSA30**6BDB	30	6	0.188	100	2.9	2.0	1.3	131



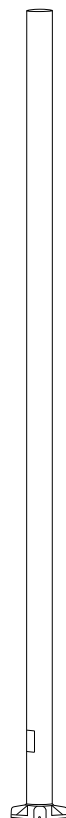
CUSTOMER NAME \_\_\_\_\_

Project Name \_\_\_\_\_

Date \_\_\_\_\_ Type \_\_\_\_\_

Catalog Number \_\_\_\_\_

### Suggested Luminaire Applications



EACL



EPST

SPECIFICATION FEATURES	
•	Round Straight [non-tapered] Steel Shaft
•	Dark Bronze Powdercoat finish Standard
•	Shaft Lengths from 10 to 30 feet
•	Single or Multiple Luminaire Mounting
•	Top tennon choice
•	Shipped with Pole: Handhole and Cover, Electrical Grounding Kit and Pole is spirally wrapped with rip cord removal system
•	Anchor bolts can be shipped either with pole or separately [if separate, please make the request at time or order]

### Ordering Number Logic (See Pole Selection Table for actual Ordering Numbers)

**A R S S**

Product Type	Pole Cross Section	Shaft Shape	Pole Material	Nominal Mounting Height [ft]	Mounting	Shaft Dimensions		Finish
						Bottom Shaft OD [in]	Wall Thickness [in]	
A = Area	R = Round	S = Straight	S = Steel	10 = 10	DB = Drill holes for mounting two luminaires at 90°	30 = 3	11 = 0.120	BL = Black
				12 = 12	DO = Drill holes for mounting two luminaires at 180°*	40 = 4	7 = 0.180	DB = Dark Bronze [Standard]
				14 = 14	DQ = Drill holes for four Luminaires	45 = 4.5		WH = White
				16 = 16	SD = Drill Holes for single luminaire	50 = 5		
				18 = 18	TB = Drill holes for three Luminaires at 90°			
				20 = 20	TD = Drill holes for three Luminaires at 120°			
				25 = 25	2T = 2-3/8 in. OD top tenon			
				30 = 30	3T = 3 in. OD top tenon			
					<b>NOTE:</b> Substitute required mounting designation for ** in ordering number listed in Selection table			<b>NOTE:</b> If other than dark bronze finish is required substitute designation for DB in Ordering Number

NOTE: All poles with anchor bolts need to be entered as 2 line items:

1. The line item for the Pole ONLY, will be the corresponding pole SKU + "-LAB" (Less Anchor Bolts). Example: ARSS10XX3011DB-LAB

2. The line item for the Anchor Bolts and Anchor Bolt Template ONLY, will be the corresponding pole SKU + "-BOLT". Example: ARSS10XX3011DB-BOLT

## AREA AND POST-TOP LIGHTING POLES: Round Straight Steel (ARSS) 10' to 30' feet (3 to 9 meters)

### Pole Selection Table

Ordering Number	Nominal Mounting Height [ft]	Shaft Size OD [in]	Wall Gauge	Maximum Total Weight [lbs]	Maximum Total Effective Projected Area [sq ft]			Approximate Ship Weight [lbs]
					80 MPH	90 MPH	100 MPH	
ARSS10**3011DB	10	3	11	435	10.0	7.7	6.0	55
ARSS10**4011DB	10	4	11	600	19.1	15.0	12.2	70
ARSS10**4511DB	10	4.5	11	600	24.5	19.5	15.8	75
ARSS12**3011DB	12	3	11	370	7.7	5.8	4.4	60
ARSS12**4011DB	12	4	11	600	15.0	11.8	9.5	80
ARSS12**4511DB	12	4.5	11	600	19.8	15.7	12.7	85
ARSS14**3011DB	14	3	11	315	6.0	4.4	3.3	70
ARSS14**4011DB	14	4	11	550	12.2	9.4	7.6	90
ARSS14**4511DB	14	4.5	11	600	16.2	12.8	10.3	95
ARSS16**3011DB	16	3	11	275	4.6	3.2	2.3	80
ARSS16**4011DB	16	4	11	470	9.6	7.4	5.9	100
ARSS16**4511DB	16	4.5	11	595	13.1	10.2	8.2	105
ARSS18**3011DB	18	3	11	345	3.4	2.3	1.4	90
ARSS18**4011DB	18	4	11	400	7.6	5.7	4.5	110
ARSS18**4511DB	18	4.5	11	505	10.5	8.2	6.5	115
ARSS20**3011DB	20	3	11	225	2.4	1.4	—	100
ARSS20**4011DB	20	4	11	340	6.0	4.5	3.5	120
ARSS20**4511DB	20	4.5	11	430	8.5	6.6	5.2	130
ARSS20**5011DB	20	5	11	540	11.8	9.1	7.3	145
ARSS25**4011DB	25	4	0.12	240	2.9	2.0	1.4	145
ARSS25**4511DB	25	4.5	0.12	290	4.8	3.6	2.7	155
ARSS25**5011DB	25	5	0.12	365	7.3	5.5	4.3	180
ARSS25**507DB	25	5	0.18	565	12.1	9.4	7.5	195
ARSS30**4511DB	30	4.5	0.12	205	2.3	1.5	1.0	185
ARSS30**5011DB	30	5	0.12	245	4.2	3.0	2.3	210
ARSS30**507DB	30	5	0.18	395	8.0	6.5	4.8	235

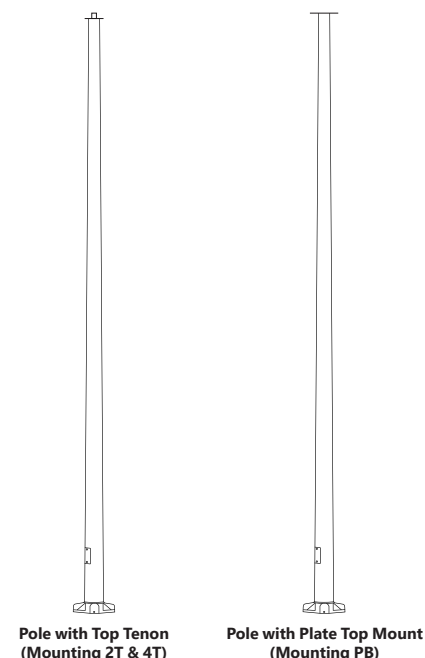
CUSTOMER NAME \_\_\_\_\_

Project Name \_\_\_\_\_

Date \_\_\_\_\_ Type \_\_\_\_\_

Catalog Number \_\_\_\_\_

### Suggested Luminaire Applications



SPECIFICATION FEATURES	
•	Square Hinged Steel Shaft
•	Prime painted, inside and out
•	Shaft Lengths from 20 to 60 feet
•	Single or Multiple Luminaire Mounting
•	Top Tenon is an available option
•	Top or side mounted brackets available
•	Anchor bolts can be shipped either with pole or separately (if separate, please make the request at time of order)

### Ordering Number Logic (See Pole Selection Table for actual Ordering Numbers)

**A R T A**

Product Type	Pole Cross Section	Shaft Shape	Pole Material	Nominal Mounting Height [ft]	Mounting	Shaft Dimensions		Finish	Options
						Bottom Shaft OD [in]	Wall Thickness [in]		
A = Area	R = Round	T = Tapered	A = Aluminum	20 = 20	2T = 2-3/8 in. OD top tenon	6.0 = 6.0	B = 0.188	BL = Black	E = Electrical Festoon Box
				25 = 25	4T = 4 in. OD top tenon	7.0 = 7.0	C = 0.219	DB = Dark Bronze	
				30 = 30	DB = Drill holes for mounting two luminaires at 90°*	8.0 = 8.0	D = 0.250	SN = Satin Ground [Standard]	
				39 = 39	DO = Drill holes for mounting two luminaires at 180°*	10.0 = 10.0			
				45 = 45	PB = Plate and bracket mounting for multiple luminaires. Order bracket separately				
					QD = Drill holes for four luminaires*				
					SD = Drill holes for single luminaire*				
					TB = Drill holes for three Luminaires at 90°*				
					TD = Drill holes for three Luminaires at 120°*				
								NOTE: 45 foot poles have two-piece shafts with flush joint (field drilled and bolted)	* Requires pole vibration dampers NOTE: Order round pole mounting adapter separately (if needed) NOTE: Substitute required mounting destination for ** in ordering number listed in Pole Selection Table

NOTE: All poles with anchor bolts need to be entered as 2 line items:

- The line item for the Pole ONLY, will be the corresponding pole SKU + "-LAB" (Less Anchor Bolts). Example: ARTA20XX6.0BDB-LAB
- The line item for the Anchor Bolts and Anchor Bolt Template ONLY, will be the corresponding pole SKU + "-BOLT". Example: ARTA20XX6.0BDB-BOLT

## AREA AND FLOOD LIGHTING POLES: Round Tapered Aluminum (ARTA)

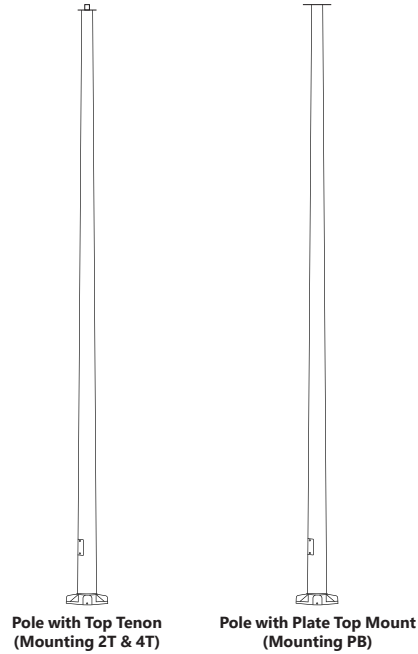
20' to 45' (6m to 14m)

### Pole Selection Table

Ordering Number	Nominal Mounting Height [ft]	Weight [lbs]	Max Recommended Total Load			Shaft Dimensions Bottom OD X Top OD X Length X Thickness [in X in X ft-in x in]	Approximate Ship Weight [lbs]
			Effective Projected Area [sq ft]				
			80 MPH	90 MPH	100 MPH		
ARTA20**6.0BSN	20	230	7.9	6.3	5.1	6.0 X 4.0 X 19-8 X 0.188	80
ARTA20**7.0BSN	20	280	11.7	9.2	7.4	7.0 X 4.0 X 19-8 X 0.188	90
ARTA25**6.0BSN	25	165	5.6	4.4	3.4	6.0 X 4.0 X 24-8 X 0.188	100
ARTA25**7.0BSN	25	225	8.6	6.7	5.3	7.0 X 4.0 X 24-8 X 0.188	105
ARTA25**8.0BSN	25	285	12.2	9.4	7.5	8.0 X 4.0 X 24-8 X 0.188	125
ARTA25**8.0CSN	25	330	14.4	11.2	8.9	8.0 X 4.0 X 24-8 X 0.219	140
ARTA25**8.0DSN	25	370	16.6	12.9	10.3	8.0 X 4.0 X 24-8 X 0.250	145
ARTA30**7.0BSN	30	165	6.4	4.9	3.7	7.0 X 4.0 X 29-8 X 0.188	130
ARTA30**8.0BSN	30	190	9.3	7.2	5.6	8.0 X 4.0 X 29-8 X 0.188	135
ARTA30**8.0CSN	30	220	11.2	8.7	6.8	8.0 X 4.0 X 29-8 X 0.219	155
ARTA30**8.0DSN	30	250	13.0	10.1	8.0	8.0 X 4.0 X 29-8 X 0.250	170
ARTA30**10.0BSN	30	425	16.4	12.3	9.2	10.0 X 6.0 X 29-8 X 0.188	185
ARTA30**10.0CSN	30	490	19.4	14.7	11.1	10.0 X 6.0 X 29-8 X 0.219	210
ARTA30**10.0DSN	30	560	22.4	17.0	13.0	10.0 X 6.0 X 29-8 X 0.250	235
ARTA30**10.0ESN	30	680	28.0	21.5	16.6	10.0 X 6.0 X 29-8 X 0.312	300
ARTA35**8.0BSN	35	160	6.2	4.7	3.6	8.0 X 4.0 X 34-8 X 0.188	160
ARTA35**8.0CSN	35	180	7.6	5.9	4.5	8.0 X 4.0 X 34-8 X 0.219	185
ARTA35**8.0DSN	35	205	9.1	7.0	5.6	8.0 X 4.0 X 34-8 X 0.250	215
ARTA39**8.0DSN	39	170	7.1	5.4	4.0	8.0 X 4.0 X 38-9 X 0.250	240
ARTA35**10.0BSN	35	258	11.7	8.7	6.3	10.0 X 6.0 X 34-8 X 0.188	220
ARTA35**10.0CSN	35	345	13.8	10.4	7.7	10.0 X 6.0 X 34-8 X 0.219	240
ARTA35**10.0DSN	35	390	16.1	12.2	9.2	10.0 X 6.0 X 34-8 X 0.250	285
ARTA39**10.0BSN	39	250	9.3	6.6	4.5	10.0 X 6.0 X 38-9 X 0.188	250
ARTA39**10.0CSN	39	285	11.2	8.1	5.7	10.0 X 6.0 X 38-9 X 0.219	285
ARTA39**10.0DSN	39	325	13.2	9.7	7.0	10.0 X 6.0 X 38-9 X 0.250	320
ARTA45**10.0CSN	45	265	9.1	6.3	3.7	10.0 X 6.0 X 44-8 X 0.219	315
ARTA45**10.0DSN	45	300	10.8	7.7	4.8	10.0 X 6.0 X 44-8 X 0.250	415

CUSTOMER NAME \_\_\_\_\_  
 Project Name \_\_\_\_\_  
 Date \_\_\_\_\_ Type \_\_\_\_\_  
 Catalog Number \_\_\_\_\_

### Suggested Luminaire Applications



SPECIFICATION FEATURES	
•	Square Hinged Steel Shaft
•	Prime painted, inside and out
•	Shaft Lengths from 20 to 60 feet
•	Single or Multiple Luminaire Mounting
•	Top Tenon is an available option
•	Top or side mounted brackets available
•	Anchor bolts can be shipped either with pole or separately (if separate, please make the request at time of order)

### Ordering Number Logic (See Pole Selection Table for actual Ordering Numbers)

**A R T S**

Product Type	Pole Cross Section	Shaft Shape	Pole Material	Nominal Mounting Height (ft)	Mounting	Shaft Dimensions		Finish	Options		
						Bottom Shaft OD (in)	Gauge				
A = Area	R = Round	T = Tapered	S = Steel	20 = 20	2T = 2-3/8 in. OD top tenon	6.5 = 6.5	3 = 3	GV = Galvanized	B1 = One 18-in. side mounted bracket		
				25 = 25	4T = 4-in. OD top tenon	6.6 = 6.6	7 = 7	PP = Prime Painted (Standard)	B2 = Two 18-in. side mounted brackets at 180°		
				30 = 30	DB = Drill holes for mounting two luminaires at 90°	7.0 = 7.0	11 = 11		B4 = Four 18-in. side mounted brackets at 90°		
				35 = 35	DO = Drill holes for mounting two luminaires at 180°	7.3 = 7.3			E = Electrical Festoon Box		
				39 = 39	QD = Drill holes for four Luminaires	7.8 = 7.8					
				45 = 45*	SD = Drill Holes for single luminaire	8.0 = 8.0					
				50 = 50*	TB = Drill holes for three Luminaires at 90°	8.5 = 8.5					
				60 = 60*	TD = Drill holes for three Luminaires at 120°	9.0 = 9.0					
						10.0 = 10.0					
						12.0 = 12.0					
						12.5 = 12.5					
								NOTE: *Shafts over 40 feet may be two-piece with overlapping joint (upper portion 11 gauge; lower portion gauge as noted)		NOTE: If galvanized finish is required, substitute GV for PP in ordering number listed in Pole Selection Table.	NOTE: If any of the Side Mounted Bracket options are required, add the appropriate designation(s) to the ordering number listed in the Options section of the catalog.

NOTE: All poles with anchor bolts need to be entered as 2 line items:

- The line item for the Pole ONLY, will be the corresponding pole SKU + "-LAB" (Less Anchor Bolts). Example: ARTS20XX6.53GV-LAB
- The line item for the Anchor Bolts and Anchor Bolt Template ONLY, will be the corresponding pole SKU + "-BOLT". Example: ARTS20XX6.53GV-BOLT

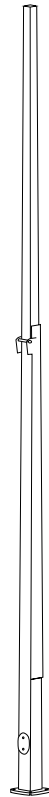
### AREA AND FLOOD LIGHTING POLES: Round Tapered Steel (ARTS) 20' to 60' feet (6m to 18m)

#### Pole Selection Table

Ordering Number	Nominal Mounting Height (ft)	Max Recommended Total Load						Shaft Dimensions Bottom OD x Top OD x Length x Thickness (in x in x ft x gauge)	Approximate Weight (lbs)
		80 MPH		90 MPH		100 MPH			
		EPA (sq ft)	Weight (lbs)	EPA (sq ft)	Weight (lbs)	EPA (sq ft)	Weight (lbs)		
ARTS20**6.511**	20	24.2	605	19.3	482	15.6	390	6.5 X 3.7 X 20.0 X 11	191
ARTS25**7.011**	25	20.3	507	16.2	405	13.1	327	7.0 X 3.5 X 25.0 X 11	229
ARTS30**6.611**	30	11.7	292	9.3	232	7.5	189	6.6 X 2.4 X 30.0 X 11	190
ARTS30**8.011**	30	18.9	552	14.9	422	12	342	8.0 X 3.8 X 30.0 X 11	291
ARTS35**7.311**	35	11.2	280	8.9	222	7.1	177	7.3 X 2.4 X 35.0 X 11	235
ARTS35**8.511**	35	18.9	472	15.1	377	12.2	305	8.5 X 3.6 X 35.0 X 11	336
ARTS39**7.811**	39	10.7	267	8.5	212	6.6	170	7.8 X 2.4 X 39.0 X 11	271
ARTS39**9.011**	39	17.2	452	13.5	362	10.8	292	9.0 X 3.6 X 39.0 X 11	387
ARTS45**10.011**	45	17.4	450	13.5	360	10	292	10.0 X 3.7 X 45.0 X 11	492
ARTS45**10.07**	45	28.5	525	23	425	19	350	10.0 X 3.9 X 45.0 X 7	720
ARTS50**10.011**	50	13.2	330	10.6	265	8.3	215	10.0 X 3.0 X 50.0 X 11	511
ARTS50**10.07**	50	20.5	407	16.5	322	13.6	292	10.0 X 3.2 X 50.0 X 7	752
ARTS60**12.07**	60	25.9	515	20.7	417	16.8	345	12.0 X 3.8 X 60.0 X 7	1119
ARTS60**12.53**	60	34	850	27.6	687	22.6	562	12.5 X 4.5 X 60.0 X 3	1488

CUSTOMER NAME \_\_\_\_\_  
 Project Name \_\_\_\_\_  
 Date \_\_\_\_\_ Type \_\_\_\_\_  
 Catalog Number \_\_\_\_\_

### Suggested Luminaire Applications



SPECIFICATION FEATURES	
•	Square Hinged Steel Shaft
•	Prime painted, inside and out
•	Shaft Lengths from 20 to 39 feet
•	Two top tenon sizes available
•	Stainless Steel pin for hinge
•	Flexible wiring guide at hinge area
•	Portable lowering mechanisms available

### Ordering Number Logic (See Pole Selection Table for actual Ordering Numbers)

Product Type	Pole Cross Section	Pole Material	Nominal Mounting Height (ft)	Mounting	Shaft Dimensions		Finish
					Width OD (in)	Gauge	
A = Area	SH = Square Hinged	S = Steel	20 = 20	2T = 2-3/8-in. OD top tenon	4.0 = 4.00	7 = 7	PP = Prime Painted (Standard)
			25 = 25	4T = 4-in. OD top tenon	6.4 = 6.41	11 = 11	BL = Black
			30 = 30		7.1 = 7.13		DB = Dark Bronze
			39 = 39		7.2 = 7.18		GV = Galvanized
				<i>NOTE: Either of these mountings can be used with any of the poles listed; substitute the correct mounting designation for ** in the ordering number listed in the Selection Table</i>			<i>NOTE: All 4-inch shaft size poles are non-tapered; all poles above 4-inch shaft size are tapered</i>

**NOTE:** All poles with anchor bolts need to be entered as 2 line items:  
 1. The line item for the Pole ONLY, will be the corresponding pole SKU + "-LAB" (Less Anchor Bolts). Example: ASHS202T4.07DB-LAB  
 2. The line item for the Anchor Bolts and Anchor Bolt Template ONLY, will be the corresponding pole SKU + "-BOLT". Example: ASHS202T4.07DB-BOLT

## AREA LIGHTING POLES: Square Hinged Steel (ASHS) 20' to 39' feet (6m to 12m)

### Pole Selection Table

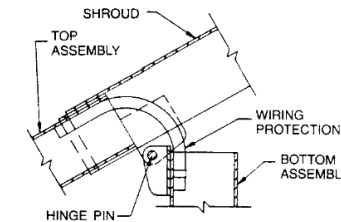
Ordering Number	Nominal Mounting Height (ft)	Shaft Dia (in)	Weight (lbs)	Max Recommended Total Load			
				Maximum Total Effective Projected Area (sq ft)			
				70 MPHI	80 MPHI	90 MPHI	100 MPHI
ASHS20**4.07PP	20	4	217	16.2	11.6	8.5	6.2
ASHS25**4.07PP	25	4	160	10.6	7.1	4.8	3.1
ASHS25**6.411PP	25	6.41	254	25.2	18.0	13.0	9.3
ASHS30**4.07PP	30	4	120	6.8	4.0	2.1	0.8
ASHS30**6.411PP	30	6.41	230	18.4	12.5	8.3	5.1
ASHS35**7.211PP	35	7.18	160	12.7	7.1	3.2	-
ASHS35**7.17PP	35	7.13	155	28.5	22.0	16.9	12.1
ASHS39**7.17PP	39	7.13	110	28.3	19.5	13.5	9.2

Note: All 4-inch shaft size poles are non-tapered; all poles above 4-inch shaft size are tapered.

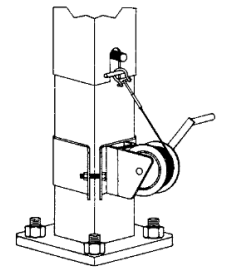
WINCH/CHAIN KIT*	
M180A	ASHS20**4.07
M180A	ASHS25**4.07
M136	ASHS25**6.411
M180A	ASHS30**4.07
M136	ASHS30**6.411
M135	ASHS35**7.17
M135	ASHS35**7.211
M135	ASHS39**7.17

**NOTE:** \* One required per pole

**CAUTION:** To prevent damage to the pole the chain and/or cable must be kept taut when raising and lowering the pole.



HINGE SECTION DETAIL



WINCH DETAIL

Removable design to be used only during maintenance. Not to be installed permanently.

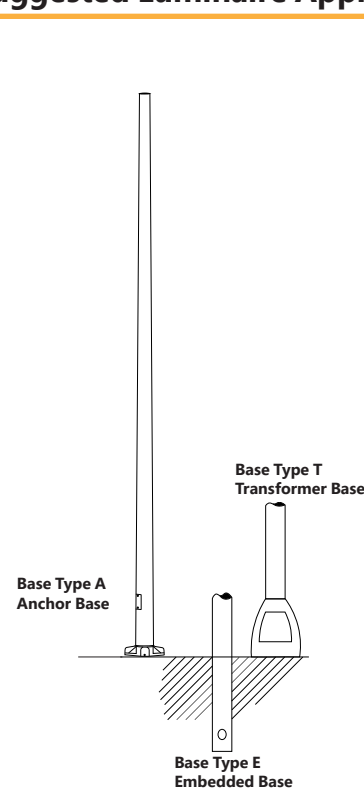
## Post-Top Lighting Poles

Round Tapered Aluminum (ARTA)  
10' to 20' (3m to 6m)

Catalog Logic

CUSTOMER NAME \_\_\_\_\_  
Project Name \_\_\_\_\_  
Date \_\_\_\_\_ Type \_\_\_\_\_  
Catalog Number \_\_\_\_\_

### Suggested Luminaire Applications



SPECIFICATION FEATURES	
•	Round Tapered Aluminum Shaft
•	Satin Ground Finish
•	Shaft Lengths from 10 to 20 feet
•	Three inch top OD for mounting a single Post Top Luminaire
•	Black or Dark Bronze Powdercoat finishes available
•	Choice of Anchor, Transformer or Embedded Base
•	Anchor bolts can be shipped either with pole or separately (if separate, please make the request at time of order)

## POST-TOP LIGHTING POLES : Round Tapered Aluminum (ARTA) 10' to 20' feet (3 to 6 meters )

### Pole Selection Table

Ordering Number	Nominal Mounting Height (ft)	Max Recommended Total Load				Shaft Dimensions Bottom OD X Top OD X Length X Thickness (in X in X ft X in)	Approximate Weight (lbs)
		Weight (lbs)	Effective Projected Area (sq ft)				
			80 MPH	90 MPH	100 MPH		
ARTA103S4.0ASN*	10	50	4.1	3.2	2.4	4.0 X 3.0 X 10 X 0.125	20
ARTA123S4.0ASN*	12	50	3.0	2.2	1.6	4.0 X 3.0 X 12 X 0.125	23
ARTA123S5.0ASN*	12	95	6.4	5.0	4.0	5.0 X 3.0 X 12 X 0.125	25
ARTA143S4.0ASN*	14	50	2.0	1.4	0.9	4.0 X 3.0 X 14 X 0.125	25
ARTA143S5.0ASN*	14	95	5.2	3.9	3.2	5.0 X 3.0 X 14 X 0.125	29
ARTA143S5.0BSN*	14	110	7.9	6.2	4.9	5.0 X 3.0 X 14 X 0.188	41
ARTA163S4.0ASN*	16	50	1.1	0.8	0.5	4.0 X 3.0 X 16 X 0.125	29
ARTA163S5.0ASN*	16	95	4.1	3.2	2.5	5.0 X 3.0 X 16 X 0.125	33
ARTA163S5.0BSN*	16	110	6.5	5.1	4.0	5.0 X 3.0 X 16 X 0.188	46
ARTA183S5.0ASN*	18	60	3.4	2.6	2.0	5.0 X 3.0 X 18 X 0.125	36
ARTA183S5.0BSN*	18	116	5.5	4.2	3.3	5.0 X 3.0 X 18 X 0.188	52
ARTA203S5.0ASN*	20	50	2.5	1.9	1.5	5.0 X 3.0 X 20 X 0.125	40
ARTA203S5.0BSN*	20	95	4.5	3.4	2.7	5.0 X 3.0 X 20 X 0.188	57

NOTE : With Embedded (Type E), shaft length is 2ft greater.

### Ordering Number Logic (See Pole Selection Table for actual Ordering Numbers)

Product Type	Pole Cross Section	Shaft Shape	Pole Material	Nominal Mounting Height (ft)	Mounting	Bottom Shaft OD (in)	Wall Thickness (in)	Finish	Options
A = Area	R = Round	T = Tapered	A = Aluminum	10 = 10	3S = 3-in. OD top for single luminaire	4.0 = 4.0	A = 0.125	BL = Black	A = Anchor
				12 = 12		5.0 = 5.0	B = 0.188	DB = Dark Bronze	E = Embedded
				14 = 14				SN = Satin Ground (Standard)	T = Transformer
				16 = 16					
				18 = 18					
				20 = 20					
								NOTE: if black or dark bronze finish is required, substitute BL or DB for SN in ordering number listed in Selection Table	NOTE: Substitute A, E, or T for x in ordering number listed in Pole Selection Table

NOTE : All poles with anchor bolts need to be entered as 2 line items:

1. The line item for the Pole ONLY, will be the corresponding pole SKU + "-LAB" (Less Anchor Bolts). Example: ARTA10XX3S4.0ABL-LAB

2. The line item for the Anchor Bolts and Anchor Bolt Template ONLY, will be the corresponding pole SKU + "-BOLT". Example: ARTA10XX3S4.0ABL-BOLT

## Post-Top Lighting Poles

Round Tapered Steel (ARTS)  
10' to 20' (3m to 6m)

Catalog Logic

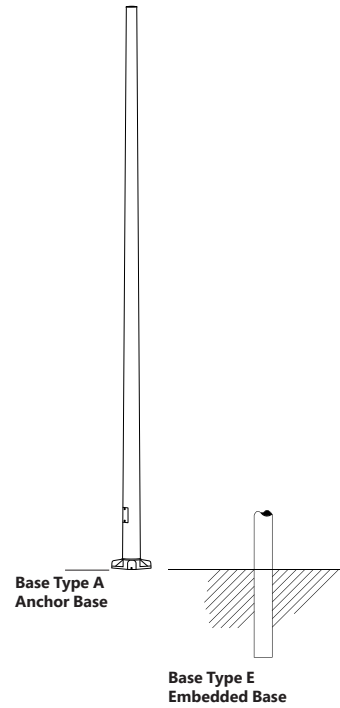
CUSTOMER NAME \_\_\_\_\_  
Project Name \_\_\_\_\_  
Date \_\_\_\_\_ Type \_\_\_\_\_  
Catalog Number \_\_\_\_\_

### Suggested Luminaire Applications

**EPTT**



**EPTC**



SPECIFICATION FEATURES	
•	Round Tapered Steel Shaft
•	Prime Painted or Galvanized finish
•	Shaft Lengths from 10 to 20 feet
•	Three inch top OD for mounting a single Post Top Luminaire
•	Choice of Anchor or Embedded Base
•	Anchor bolts can be shipped either with pole or separately (if separate, please make the request at time or order)

## POST-TOP LIGHTING POLES : Round Tapered Steel (ARTS) 10' to 20' feet (3 to 6 meters )

### Pole Selection Table

Ordering Number	Base Type	Nominal Mounting Height (ft)	Weight (lbs)	Max Recommended Total Load			Shaft Dimensions Bottom OD X Top OD X Length X Thickness (in X in X ft X gauge)	Approximate Weight (lbs)
				Effective Projected Area (sq ft)				
				70 MPH	80 MPH	90 MPH		
ARTS103S4.411APP	Anchor Base	10	125	12.7	9.6	7.4	4.40 X 3.0 X 10 X 11	61
ARTS123S4.711APP	Anchor Base	12	125	11.7	8.7	6.7	4.68 X 3.0 X 12 X 11	72
ARTS163S5.211APP	Anchor Base	16	125	10.8	7.9	6	5.24 X 3.0 X 16 X 11	98
ARTS183S5.511APP	Anchor Base	18	125	10.8	7.9	5.9	5.52 X 3.0 X 18 X 11	111
ARTS203S5.811APP	Anchor Base	20	125	11.1	8.1	6	5.80 X 3.0 X 20 X 11	126
ARTS103S4.711EPP	Embedded	10	125	13.3	10	7.7	4.68 X 3.0 X 12 X 11	59
ARTS143S5.511EPP	Embedded	14	125	11.6	8.7	6.6	5.24 X 3.0 X 16 X 11	84
ARTS163S5.511EPP	Embedded	16	125	10.9	8.1	6.1	5.52 X 3.0 X 18 X 11	98
ARTS183S5.811EPP	Embedded	18	125	10.3	7.6	5.7	5.80 X 3.0 X 20 X 11	112
ARTS203S6.411EPP	Embedded	20	125	9	7.1	5.3	6.40 X 3.0 X 22 X 11	127

NOTE : With Embedded (Type E), shaft length is 2ft greater.

### Ordering Number Logic (See Pole Selection Table for actual Ordering Numbers)

**A R T S**

Product Type	Pole Cross Section	Shaft Shape	Pole Material	Nominal Mounting Height (ft)	Mounting	Shaft Dimensions		Base Type	Finish
						Bottom Shaft OD (in)	Gauge		
A = Area	R = Round	T = Tapered	S = Steel	10 = 10	3S = 3-in. OD top for single luminaire	4.4 = 4.4	11 = 11	A = Anchor	GV = Galvanized
				12 = 12		4.7 = 4.7		E = Embedded	PP = Prime Painted (Standard)
				14 = 14		5.2 = 5.2			
				16 = 16		5.5 = 5.5			
				18 = 18		5.8 = 5.8			
				20 = 20		6.4 = 6.4			
									<b>NOTE:</b> If galvanized finish is required, substitute GV for PP in ordering number listed in Pole Selection Table.

NOTE : All poles with anchor bolts need to be entered as 2 line items:

- The line item for the Pole ONLY, will be the corresponding pole SKU + "-LAB" (Less Anchor Bolts). Example: ARTS10XX3S4.411AGV-LAB
- The line item for the Anchor Bolts and Anchor Bolt Template ONLY, will be the corresponding pole SKU + "-BOLT." Example: ARTS10XX3S4.411AGV-BOLT

Haight-Ashbury™ Decorative Poles

Round Tapered, Smooth or Fluted Aluminum (HGTA) 10' to 18' (3m to 6m)

Catalog Logic

CUSTOMER NAME \_\_\_\_\_  
 Project Name \_\_\_\_\_  
 Date \_\_\_\_\_ Type \_\_\_\_\_  
 Catalog Number \_\_\_\_\_

Haight-Ashbury™

Haight-Ashbury reminiscent of the vintage poles, compliments any decorative post top or pendant mount luminaire. Haight-Ashbury's fluted base curves gracefully upward, providing beauty and elegance to any landscape.

SPECIFICATION FEATURES
• Cast Aluminum Base
• Thermoset powder paint finishes
• Rust and Corrosion Resistant
• Various arms and arm drilling are available
• Tapered, Round, Smooth or Fluted shaft
• Standard Colors: Black and Dark Bronze
• RAL and Other Colors, contact Factory



Ordering Number Logic (See Pole Selection Table for actual Ordering Numbers)

HGTA

Pole Type	Nominal Mounting Height (ft - in)	Decorative Pole Shape	Mounting: Top Tenon	Base Type	Finish
HGTA = Haight Ashbury™	10 = 10' - 0"	F = Fluted	2T = 2-3/8" (OD) x 3" (L) Top Tenon	A = Anchor	BL=Black
	12 = 12' - 0"	S = Smooth	3T = 3" (OD) Top for Single Post Top Luminaire		DB = Dark Bronze
	14 = 14' - 0"				#### = RAL Color Number
	16 = 16' - 0"				
	18 = 18' - 0"				
	* Consult Factory for Availability of Heights not listed but within shown range				

Ordering Number	Series	Nominal Mounting Height (ft)	Max Total Fixture Weight (lbs)	Effective Projected Area (sq ft)			Shaft Dimensions Bottom OD X Top OD X Length X Thickness (in X in X ft X in)	Approximate Pole Weight (lbs)	Shaft Shape	Tenon Size OD x Length (in x in)	Base Type	Color
				70 MPH	80 MPH	90 MPH						
HGTA10F3TABL	HAIGHT-ASHBURY	10	100	12.1	8.7	6.4	5.17" x 4.12" x 10 x 0.125	75	Fluted	3 x 3	Anchor	Black
HGTA12F3TABL		12	100	9.1	6.3	4.4	5.45" x 4.12" x 12 x 0.125	79		3 x 3	Anchor	Black
HGTA14F3TABL		14	100	5.4	3.5	2.3	5.81" x 4.20" x 14 x 0.125	84		3 x 3	Anchor	Black
HGTA16F3TABL		16	100	13.9	9.6	6.7	5.81" x 3.92" x 16 x 0.125	89		3 x 3	Anchor	Black
HGTA18F3TABL		18	100	10.9	7.2	4.7	6.00" x 3.84" x 18 x 0.125	93		3 x 3	Anchor	Black
HGTA10S3TABL		10	100	12.1	8.7	6.4	5.17" x 4.12" x 10 x 0.125	75	Smooth	3 x 3	Anchor	Black
HGTA12S3TABL		12	100	9.1	6.3	4.4	5.45" x 4.12" x 12 x 0.125	79		3 x 3	Anchor	Black
HGTA14S3TABL		14	100	5.4	3.5	2.3	5.81" x 4.20" x 14 x 0.125	84		3 x 3	Anchor	Black
HGTA16S3TABL		16	100	13.9	9.6	6.7	5.81" x 3.92" x 16 x 0.125	89		3 x 3	Anchor	Black
HGTA18S3TABL		18	100	10.9	7.2	4.7	6.00" x 3.84" x 18" x 0.125	93		3 x 3	Anchor	Black

Downing Street™ Decorative Poles

Round Tapered, Smooth or Fluted Aluminum (DWNA) 10' to 18' (3m to 6m)

Catalog Logic

CUSTOMER NAME \_\_\_\_\_  
 Project Name \_\_\_\_\_  
 Date \_\_\_\_\_ Type \_\_\_\_\_  
 Catalog Number \_\_\_\_\_

Downing Street™

Downing Street has a sleek impressive design, a compliment to any decorative post top or pendant mount luminaire. Downing Street's fluted base tapers to a collar adorned with four rosettes, providing beauty and elegance to any landscape.

SPECIFICATION FEATURES
• Cast Aluminum Base
• Thermoset powder paint finishes
• Rust and Corrosion Resistant
• Various arms and arm drilling are available
• Tapered, Round, Smooth or Fluted shaft
• Standard Colors: Black and Dark Bronze
• RAL and Other Colors, contact Factory



Ordering Number Logic (See Pole Selection Table for actual Ordering Numbers)

DWNA

Pole Type	Nominal Mounting Height (ft - in)	Decorative Pole Shape	Mounting: Top Tenon	Base Type	Finish
DWNA = Downing Street™	10 = 10' - 0"	F = Fluted	2T = 2-3/8" (OD) x 3" (L) Top Tenon	A = Anchor	BL=Black
	12 = 12' - 0"	S = Smooth	3T = 3" (OD) Top for Single Post Top Luminaire		DB = Dark Bronze
	14 = 14' - 0"				#### = RAL Color Number
	16 = 16' - 0"				
	18 = 18' - 0"				
	* Consult Factory for Availability of Heights not listed but within shown range				

Ordering Number	Series	Nominal Mounting Height (ft)	Max Total Fixture Weight (lbs)	Effective Projected Area (sq ft)			Shaft Dimensions Bottom OD X Top OD X Length X Thickness (in X in X ft X in)	Approximate Pole Weight (lbs)	Shaft Shape	Tenon Size	Base Type OD x Length (in x in)	Color
				70 MPH	80 MPH	90 MPH						
DWNA10F3TABL	DOWNING STREET	10	100	31.5	23.7	18.3	4.8" x 4.13" x 10'-0" x 0.125"	78	Tapered, Round, Fluted	3 x 3	Anchor	Black
DWNA12F3TABL		12	100	25.4	18.8	14.3	4.8" x 3.91" x 12'-0" x 0.125"	82		3 x 3	Anchor	Black
DWNA14F3TABL		14	100	16.6	12.1	9	5.8" x 4.47" x 14'-0" x 0.125"	87		3 x 3	Anchor	Black
DWNA16F3TABL		16	100	13.4	9.5	6.8	5.8" x 4.25" x 16'-0" x 0.125"	92		3 x 3	Anchor	Black
DWNA18F3TABL		18	100	9.8	6.5	3.9	5.8" x 4.03" x 18'-0" x 0.125"	96		3 x 3	Anchor	Black
DWNA10S3TABL		10	100	31.5	23.7	18.3	4.8" x 4.13" x 10'-0" x 0.125"	78	Tapered, Round, Smooth	3 x 3	Anchor	Black
DWNA12S3TABL		12	100	25.4	18.8	14.3	4.8" x 3.91" x 12'-0" x 0.125"	82		3 x 3	Anchor	Black
DWNA14S3TABL		14	100	16.6	12.1	9	5.8" x 4.47" x 14'-0" x 0.125"	87		3 x 3	Anchor	Black
DWNA16S3TABL		16	100	13.4	9.5	6.8	5.8" x 4.25" x 16'-0" x 0.125"	92		3 x 3	Anchor	Black
DWNA18S3TABL		18	100	9.8	6.5	3.9	5.8" x 4.03" x 18'-0" x 0.125"	96		3 x 3	Anchor	Black

CUSTOMER NAME \_\_\_\_\_  
 Project Name \_\_\_\_\_  
 Date \_\_\_\_\_ Type \_\_\_\_\_  
 Catalog Number \_\_\_\_\_

These options are available for selected poles only; refer to product pages for availability. Add the option designation to the end of the Ordering Number for the appropriate pole. If more than one option applies, add all the required option designations to the appropriate.

### Embarcadero™

Embarcadero's design, compliments any decorative post-top or pendant mount luminaire. The Embarcadero base is smooth and stylish.

SPECIFICATION FEATURES
• Cast Aluminum Base
• Thermoset powder paint finishes
• Rust and Corrosion Resistant
• Various arms and arm drilling are available
• Straight, Round, Smooth or Fluted shaft
• Standard Colors: Black and Dark Bronze
• RAL and Other Colors, contact Factory



### Ordering Number Logic (See Pole Selection Table for actual Ordering Numbers)

#### EMBA

Pole Type	Nominal Mounting Height (ft - in)	Decorative Pole Shape	Mounting: Top Tenon	Base Type	Finish
EMBA = Embarcadero™	10 = 10' - 0"	F = Fluted	2T = 2-3/8" (OD) x 3" (L) Top Tenon	A = Anchor	BL=Black
	12 = 12' - 0"	S = Smooth	3T = 3" (OD) Top for Single Post Top Luminaire		DB = Dark Bronze
	14 = 14' - 0"				#### = RAL Color Number
	16 = 16' - 0"				
	* Consult Factory for Availability of Heights not listed but within shown range				

### STANDARD COLORS

Reference pole specification sheet for standard finish color availability.

Standard colors are intended to match our Luminaire colors. RAL and other custom colors may be available, contact factory for more information.

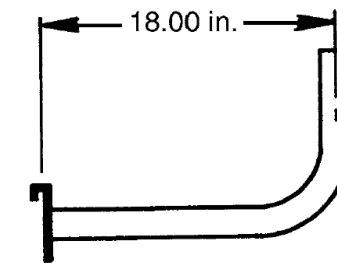
### ELECTRICAL FESTOON BOX (E)

E = Electrical festoon box (double) located 15 feet above the base on the handhole side of the shaft. No weatherproof cover or electrical receptacle supplied. Order separately from electrical distributor.

### SIDE MOUNTED BRACKETS FOR STEEL AREA LIGHTING POLE (B1,B2, or B4)

B1, B2, or B4 = One, two or four 18-in. side mounted brackets for area round tapered steel (ARTS) pole.

Number of Brackets	Bracket Placement (4 Feet From Pole Top)	Max Recommended Luminaire Load, Each		Add To Pole Ordering Number	Bracket Size		
		Weight (lbs)	Effective Projected Area (EPA) (sq ft)		Pipe Size (in)	Weight (lbs)	EPA (sq ft)
One	Handhole side	93	4.1	B1 (Fig. 1)	2	10	0.5
Two	180° (90° to handhole side)	93	4.1	B2	2	20	1.0
Three	90° (45° to handhole side)	93	4.1	B4	2	40	2.0



Ordering Number	Series	Nominal Mounting Height (ft)	Max Total Fixture Weight (lbs)	Effective Projected Area (sq ft)			Shaft Dimensions Bottom OD X Top OD X Length X Thickness (in X in X ft - in X gauge)	Approximate Pole Weight (lbs)	Shaft Shape	Tenon Size	Base Type	Color
				70 MPH	80 MPH	90 MPH						
EMBA10S3TABL	EMBARCADERO	10	100	12.1	8.7	6.4	5" x 5" x 10'-0" x 0.125"	43	Straight, Round, Smooth	3 x 3	Anchor	Black
EMBA12S3TABL		12	100	9.1	6.3	4.4	5" x 5" x 12'-0" x 0.125"	47		3 x 3	Anchor	Black
EMBA14S3TABL		14	100	5.4	3.5	2.3	5" x 5" x 14'-0" x 0.125"	51		3 x 3	Anchor	Black
EMBA16S3TABL		16	100	4.0	2.4	1.2	5" x 5" x 16'-0" x 0.125"	55		3 x 3	Anchor	Black
EMBA10F3TABL		10	100	12.1	8.7	6.4	5" x 5" x 10'-0" x 0.125"	43	Straight, Round, Fluted	3 x 3	Anchor	Black
EMBA12F3TABL		12	100	9.1	6.3	4.4	5" x 5" x 12'-0" x 0.125"	47		3 x 3	Anchor	Black
EMBA14F3TABL		14	100	5.4	3.5	2.3	5" x 5" x 14'-0" x 0.125"	51		3 x 3	Anchor	Black
EMBA16F3TABL		16	100	4.0	2.4	1.2	5" x 5" x 16'-0" x 0.125"	55		3 x 3	Anchor	Black



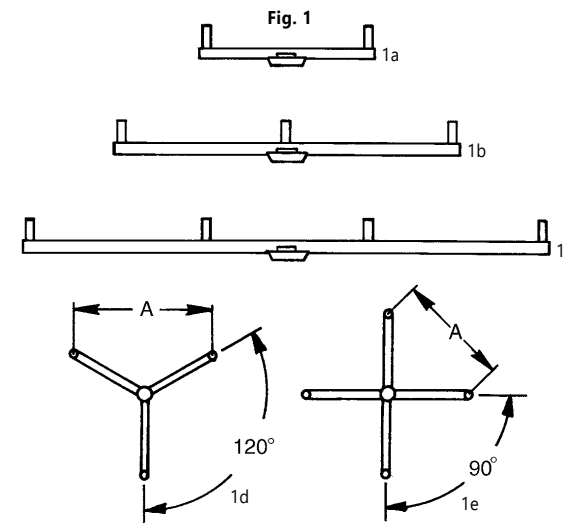
CUSTOMER NAME \_\_\_\_\_  
Project Name \_\_\_\_\_  
Date \_\_\_\_\_ Type \_\_\_\_\_  
Catalog Number \_\_\_\_\_

CUSTOMER NAME \_\_\_\_\_  
Project Name \_\_\_\_\_  
Date \_\_\_\_\_ Type \_\_\_\_\_  
Catalog Number \_\_\_\_\_

**FLOOD LIGHTING BRACKETS FOR ALUMINUM POLES WITH PLATE MOUNT**

Floodlighting bracket, aluminum, for mounting on aluminum poles, **plate mount only**. Bracket mounts multiple luminaires on 2-3/8-in. OD tenons.

Brackets Selection Table						
Number/ Placement Tenons	See Fig.	Ordering Number	Adjacent Tenon Spacing A (in)	Tenon Top OD (in)	Bracket Size	
					Weight (lbs)	EPA (sq ft)
2 in line	1a	FBAPB2TT	33	2-3/8	5	0.6
3 in line	1b	FBAPC2TT	33	2-3/8	8	1.1
4 in line	1c	FBAPD2TT	33	2-3/8	11	1.6
3 at 120°	1d	FBAPE2TT	41	2-3/8	10	0.7
4 at 90°	1e	FBAPF2TT	34	2-3/8	13	0.8



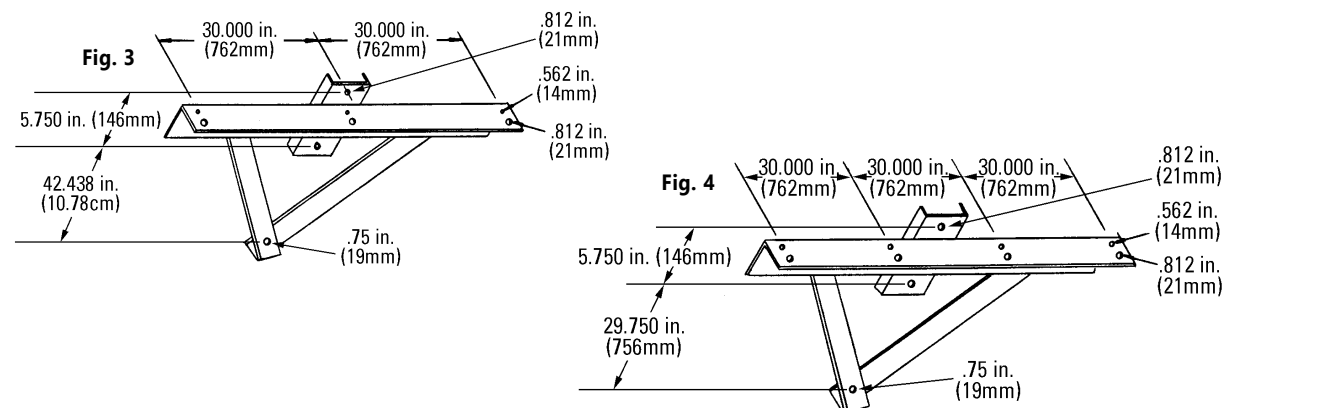
**LIGHTING CROSSARM BRACKETS**

Sports lighting bracket, steel crossarm for mounting 2, 3, or 4 floodlights on wood poles.

Brackets Selection Table					
Number of Floodlights	See Fig.	Pole Material	Ordering Number	Bracket Size	
				Weight (lbs)	EPA (sq ft)
2	2	wood	SBSXBWPP	21	1.4
3	3	wood	SBSXCWPP	54	3.9
4	4	wood	SBSXDWPP	65	4.8

**NOTE:** If bracket is to be used for retrofitting an existing steel pole, substitute **S** for **W** in ordering number listed in Selection Table.

**NOTE:** All brackets are prime painted. For galvanized brackets, contact factory.



**FLOODLIGHTING BRACKETS, STEEL BULLHORN**

Floodlighting bracket steel bullhorn for pole with 2-3/8 in. or 4 in. OD top tenon. Bracket has 2-3/8 in. top OD and is prime painted.

Brackets Selection Table								
Number/ Placement Tenons	See Fig.	Maximum Load Per Luminaire		Ordering Number	Adjacent Tenon Spacing A (in)	Luminaire Mounting OD (in)	Bracket Size	
		Max Weight (lbs)	Max EPA (sq ft)				Weight (lbs)	EPA (sq ft)
<b>Brackets T Fit Poles Having 2-3/8" OD Top Tenon</b>								
2 in line	1a	100	5.0	FBSB2B2TTPP	36	2-3/8	21	1.0
3 in line	1b	100	3.8	FBSB2C2TTPP	30	2-3/8	32	1.6
4 in line	1c	100	3.0	FBSB2D2TTPP	30	2-3/8	44	2.3
3 at 120°	1d	100	3.8	FBSB2E2TTPP	41	2-3/8	34	1.3
4 at 90°	1e	100	3.0	FBSB2F2TTPP	34	2-3/8	44	1.6
<b>Brackets T Fit Poles Having 4" OD Top Tenon</b>								
3 in line	1b	125	6.0	FBSB4C2TTPP	36	2-3/8	37	1.9
4 in line	1c	125	6.0	FBSB4D2TTPP	36	2-3/8	67	2.6
3 at 120°	1d	125	6.0	FBSB4E2TTPP	41	2-3/8	38	1.5
4 at 90°	1e	125	6.0	FBSB4F2TTPP	34	2-3/8	48	1.6

**NOTE:** All brackets are prime painted. For galvanized brackets, substitute GV for PP in ordering number listed in Selection Table.

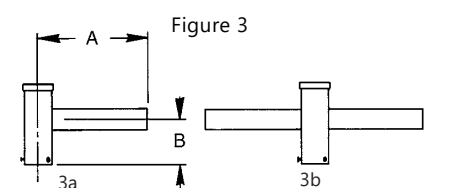
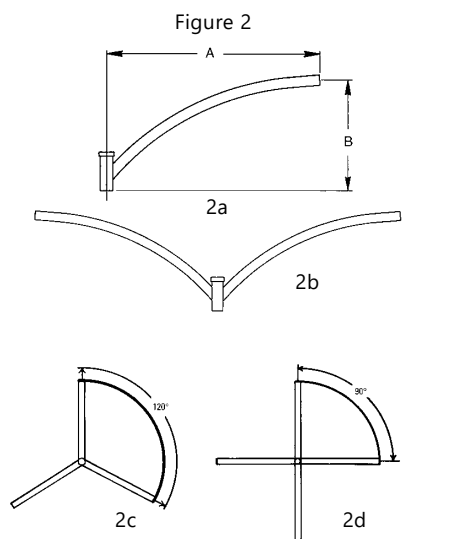
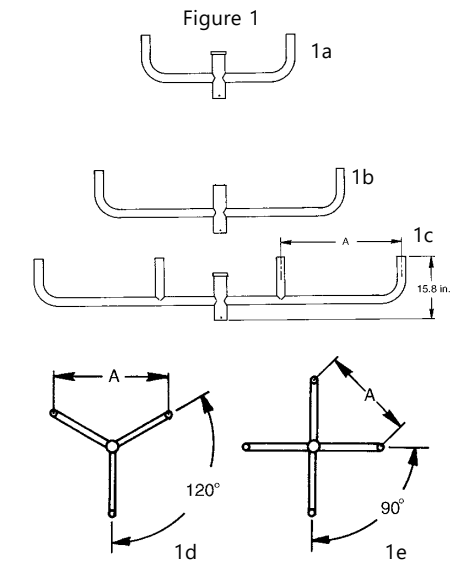
**NOTE:** Brackets may support more EPA and total weight than allowed by pole. Ensure the bracket and fixture loads do not exceed the pole limits.

**ROADWAY BRACKETS, STEEL UPSWEEP AND STRAIGHT FOR 2-3/8" OD POLE TOP TENONS**

Floodlighting bracket steel bullhorn for pole with 2-3/8 in. or 4 in. OD top tenon. Bracket has 2-3/8 in. top OD and is prime painted.

Brackets Selection Table									
Number/ Placement Tenons	See Fig.	Bracket Dimensions		Maximum Load Per Luminaire		Ordering Number	LUMINAIRE MOUNTING OD (in)	Bracket Size	
		A (ft)	B (in)	Max Weight (lbs)	Max EPA (sq ft)			Weight (lbs)	EPA (sq ft)
<b>Steel Upsweep Bracket For 2-3/8" OD Top Tenon</b>									
1	2a	6	24	75	2.0	RBSU2H6PP	2-3/8	29	1.5
2 at 180°	2b	6	24	75	2.0	RBSU2J6PP	2-3/8	54	2.8
3 at 120°	2c	4	24	75	2.0	RBSU2K4PP	2-3/8	76	1.8
4 at 90°	2d	4	24	75	2.0	RBSU2L4PP	2-3/8	99	2.9
<b>Steel Straight Bracket For 2-3/8" OD Top Tenon</b>									
1	3a	2	5	125	6.0	RBSS2H2PP	2-3/8	12	0.6
2 at 180°	3b	2	5	125	6.0	RBSS2J2PP	2-3/8	18	1.0
3 at 120°	2c	2	5	125	6.0	RBSS2K2PP	2-3/8	26	1.0
4 at 90°	2d	2	5	125	6.0	RBSS2L2PP	2-3/8	32	1.4

**NOTE:** Brackets may support more EPA and total weight than allowed by pole. Ensure the bracket and fixture loads do not exceed the pole limits.

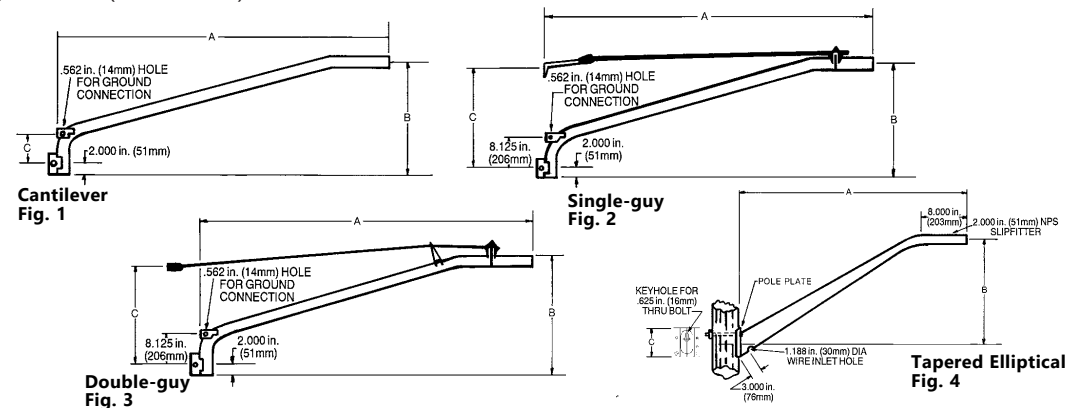


CUSTOMER NAME \_\_\_\_\_  
 Project Name \_\_\_\_\_  
 Date \_\_\_\_\_ Type \_\_\_\_\_  
 Catalog Number \_\_\_\_\_

CUSTOMER NAME \_\_\_\_\_  
 Project Name \_\_\_\_\_  
 Date \_\_\_\_\_ Type \_\_\_\_\_  
 Catalog Number \_\_\_\_\_

### ROADWAY BRACKETS FOR WOOD POLE MOUNTING

Roadway bracket aluminum or galvanized steel for mounting on wood poles, pipe sizes from 1-1/4 to 2-in. (32 to 51mm).



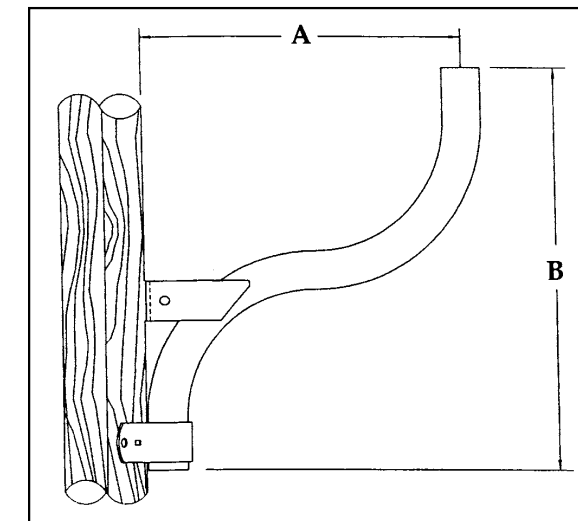
### BRACKET SELECTION TABLE

Thru bolts and lag screws not included

Nominal Length	See Fig.	Maximum Load of Each Luminaire 80 MPH (For high wind velocities, consult factory)				Ordering Number	Pipe Size		Brackets Dimensions					Weight			
		Max Weight Max EPA					(in)	(mm)	A (in)	B (in)	C (in)	(in)	(mm)	(lbs)	(kgs)		
		lbs	kgs	sq ft	sq m												
(ft)	(m)																
<b>ALUMINUM PIPE BRACKETS</b>																	
4	1.2	1	40	18	0.9	0.08	RBACWH4X1.25	1-1/4	32	45	1143	18-9/16	217	8-1/4	1.6	3.5	1.6
6	1.8	1	35	16	0.7	0.07	RBACWH6X1.25	1-1/4	32	69	1753	24-1/16	611	8-1/4	2.0	4.5	2.0
2.5	0.8	1	90	41	2.3	0.21	RBACWH2.5X2	2	51	30	762	15-1/8	384	8-1/4	1.6	3.5	1.6
4	1.2	1	70	32	1.8	0.17	RBACWH4X2	2	51	45	1143	18-3/8	467	8-1/4	2.0	4.5	2.0
6	1.8	1	50	23	1.4	0.13	RBACWH6X2	2	51	69	1753	24	610	8-1/4	2.7	6.0	2.7
6	1.8	2	80	36	1.4	0.13	RBAGWH6X2	2	51	69	1753	24	610	21	3.4	7.5	3.4
8	2.4	2	60	27	0.7	0.07	RBAGWH8X2	2	51	93	2362	29-5/8	752	23	1.3	9.5	4.3
8	2.4	3	70	32	1.4	0.13	RBADWH8X2	2	51	93	2362	29-5/8	752	23	5.7	12.5	5.7
10	3.0	3	50	23	0.9	0.08	RBADWH10X2	2	51	117	2972	35-1/4	895	25	6.6	14.5	6.6
12	3.7	3	40	18	0.7	0.07	RBADWH12X2	2	51	141	3581	40-3/8	1026	27	7.5	16.5	7.5
<b>GALVANIZED STEEL PIPE BRACKETS</b>																	
2.5	0.8	1	90	41	2.3	0.21	RBSCWH2.5X1.25GV	1-1/4	32	30	762	15-1/4	387	8-1/4	3.4	7.5	3.4
4	1.2	1	70	32	1.8	0.17	RBSCWH4X1.25GV	1-1/4	32	45	1143	18-7/16	468	8-1/4	4.5	10.0	4.5
6	1.8	1	45	21	1.4	0.13	RBSCWH6X1.25GV	1-1/4	32	69	1753	14-1/16	357	8-1/4	6.3	14.0	6.3
2.5	0.8	1	90	41	2.8	0.26	RBSCWH2.5X2GV	2	51	30	762	15-1/8	384	8-1/4	5.0	11.0	5.0
4	1.2	1	90	41	2.3	0.21	RBSCWH4X2GV	2	51	45	1143	18-3/8	467	8-1/4	7.0	15.5	7.0
6	1.8	1	70	32	2.0	0.19	RBSCWH6X2GV	2	51	69	1753	24	610	8-1/4	9.5	21.0	9.5
8	2.4	1	45	20	1.4	0.13	RBSCWH8X2GV	2	51	93	2362	29-5/8	752	8-1/4	12.5	27.5	12.5
10	3.0	2	60	27	1.2	0.11	RBSGWH10X2GV	2	51	117	2972	35-1/4	895	25	17.0	37.5	17.0
12	3.7	2	50	23	0.7	0.07	RBSGWH12X2GV	2	51	141	3581	40-3/8	1026	27	20.4	45.0	20.4
14	4.3	3	40	18	0.7	0.07	RBSDWH14X2GV	2	51	165	4191	46-1/2	1181	30	26.5	58.5	26.5
16	4.9	3	35	16	0.7	0.07	RBSDWH16X2GV	2	51	189	4801	52-1/8	1324	33	29.9	66.0	29.9
4	1.2	NOTE	90	41	2.3	0.21	RBSPWH4X2GV	2	51	45	1143	18-3/8	467	8-1/4	7.3	16.0	7.3
<b>ALUMINUM TAPERED ELLIPTICAL BRACKETS</b>																	
4	1.2	4	55	25	1.6	0.15	RBATWH4X2	2	51	42	1067	16	406	4-5/8	2.7	6.0	2.7
6	1.8	4	53	24	1.6	0.15	RBATWH6X2	2	51	66	1676	24	610	4-3/4	4.5	10.0	4.5
8	2.4	4	53	24	1.2	0.11	RBATWH8X2	2	51	90	2286	30	762	6-1/8	6.3	14.0	6.3
10	3.0	4	44	20	1.2	0.11	RBATWH10X2	2	51	114	2896	30	762	7	7.7	17.0	7.7
4	1.2	NOTE	60	27	1.6	0.15	RBAPWH4X2	2	51	48	1219	30	762	15	4.1	9.0	4.1

**NOTE:** Bracket has a flat plate for wall mounting. For hole sizes and location of holes in plate, consult factory.

### FLOODLIGHT BRACKETS



#### WOOD POLE MOUNTING

Single Floodlight Bracket For Wood Pole Mounting

- Most items in stock for immediate shipment
- Mounting hardware not included
- Finish: Primer
- For hot dip galvanized, substitute "G" in place of "P"

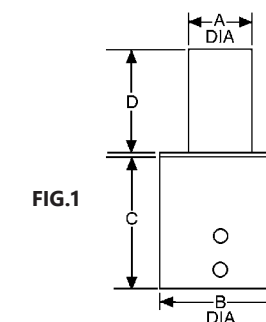
#### STEEL

Ordering Number	Pole Size (in)	A (in)	B (in)	Weight (lbs)
SF-18P	2"	18"	23"	15
SF-07P	2"	7"	20"	11

### TENON REDUCER BRACKETS FOR POLE TOP MOUNTING (FIG.1)

Mounting hardware not included. Red primer painted (Standard)

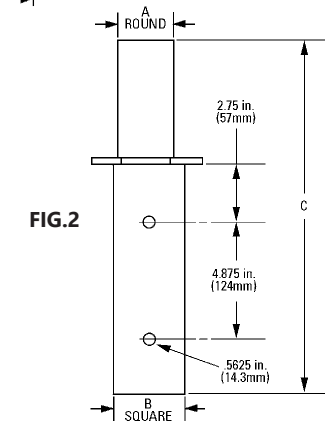
Ordering Number	Pole Size (in)	A (in)	B (in)	Weight (lbs)
TR-30-2P	2-3/8	3-1/4	6-1/4	8
TR-35-2P	2-3/8	3-13/16	6-1/4	10
TR-40-2P	2-3/8	4-1/4	6-1/4	11
TR-45-2P	3	4-1/4	6-1/4	12



### REMOVABLE TENON ADAPTER FOR SQUARE STEEL POLES (FIG.2)

Mounting hardware not included. Red primer painted (Standard)

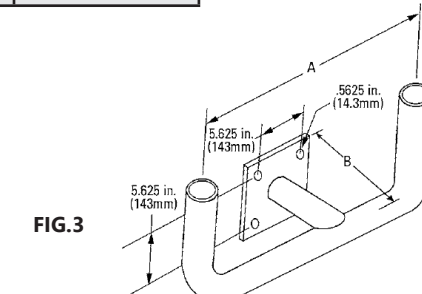
Ordering Number	Pole Size (in)	A (in)	B (in)	C (in)	Weight (lbs)
RTASQ-4-2P	2-3/8	2-3/8	3	13-3/4	7
RTASQ-4-2G	2-3/8	2-3/8	3	13-3/4	8
RTASQ-5-2P	2-3/8	2-3/8	4	13-3/4	8
RTASQ-5-2G	2-3/8	2-3/8	4	13-3/4	9
RTASQ-6-2P	2-3/8	2-3/8	5	13-3/4	17
RTASQ-6-2G	2-3/8	2-3/8	5	13-3/4	19



### DOUBLE RIGHT ANGLE BRACKET (FIG. 3)

Red primer painted.

Ordering Number	A (in)	B (in)	Weight (lbs)
DRAB-P	30	8-1/2	22

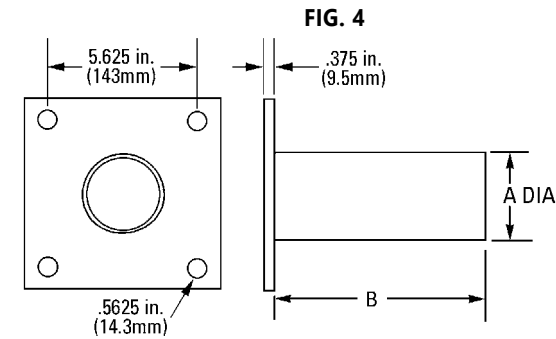


CUSTOMER NAME \_\_\_\_\_  
Project Name \_\_\_\_\_  
Date \_\_\_\_\_ Type \_\_\_\_\_  
Catalog Number \_\_\_\_\_

**VERTICAL TENON BRACKET (FIG. 4)**

- Mounting hardware not included
- Red primer painted (Standard)

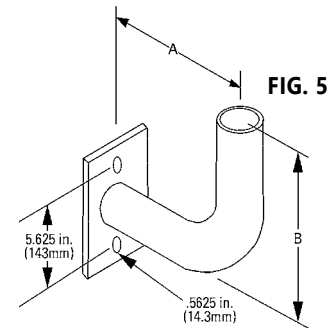
Ordering Number	A (in)	B (in)	Weight (lbs)
VT2-4P	2-3/8	4	5



**RIGHT ANGLE BRACKET FOR SQUARE STEEL POLE MOUNTING (FIG. 5)**

- Mounting hardware not included
- Red primer painted (Standard)

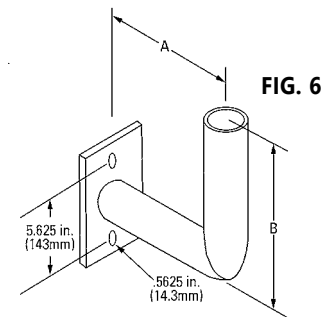
Ordering Number	Pole Size (in)	A (in)	B (in)	Weight (lbs)
RABX-4P	4	12	13	8
RABX-5P	5	12	13	8
RABX-6P	6	12	13	9



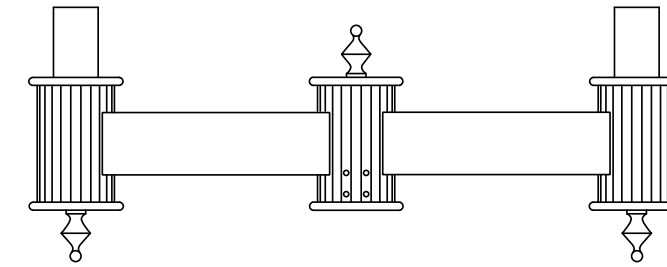
**RIGHT ANGLE BRACKET FOR SQUARE STEEL POLE MOUNTING (FIG. 6)**

- Mounting hardware not included
- Red primer painted (Standard)

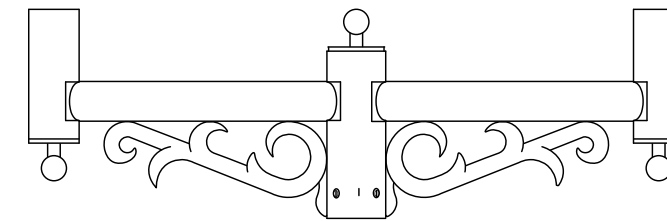
Ordering Number	Pole Size (in)	A (in)	B (in)	Weight (lbs)
RABHX-4P	4	8-1/2	8	10
RABHX-5P	5	8-1/2	8	10
RABHX-6P	6	8-1/2	8	11
RABHX-14-4P	4	14-1/2	8	12
RABHX-14-5P	5	14-1/2	8	12
RABHX-14-6P	6	14-1/2	8	13



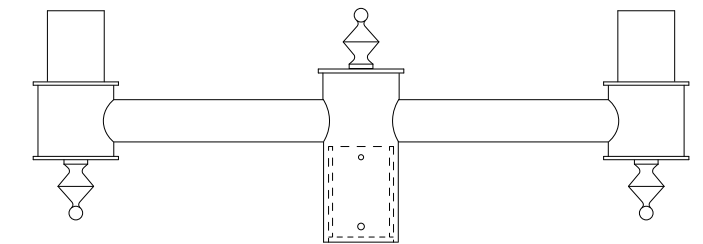
**LANCASTER**



**SOUTH RIVER**



**WOODBIDGE**



**Ordering Number Logic**

Product	Number of Arms	Pole Tenon Size	Distance Between Fixture Tenons	Fixture Tenon Size	Color	Options
PTALC = Pole-Top Twin Arm - Lancaster	2 = Two Arms @ 180°	3 = Fits on Pole Top 3" x 3" Tenon	36 = 36"	P2 = 2-3/8" (OD) x 4" (H)	BLCK = Black	### = Special Option ^
PTASR = Pole-Top Twin Arm - South River				P3 = 3" (OD) x 3" (H)	DKBZ = Dark Bronze	
PTAWB = Pole-Top Twin Arm - Woodbridge				P9 = Special Tenon Size *	FGRN = Forest Green	
					#### RAL = Special Color *	
				* Must specify Tenon Size at time of order, to be detailed by Special Option Code	* Must specify RAL Color Code at time of order, custom color to be detailed by special option code.	^ This 3-digit number will be assigned by factory

NOTE: For hole sizes and location of holes, consult factory.

## Suggested Luminaires & Applications

### Roadway



Engineered to direct light precisely where it's needed most, **Evolve LED Roadway fixtures** create a dramatic difference in visibility, safety and operational efficiency. Choose from a wide selection of styles and hundreds of photometric options to achieve superior performance with slashed energy and maintenance costs. Perfect for new construction and renovation projects. Pairing with our **LightGrid™** outdoor wireless control system allows remote operation and monitoring of all fixtures through a Web-enabled central management system.



**ERLC**



**ERL1**



**ERL2**

### Area/Site



**Evolve LED Area lights** are perfect for downtowns, hospital grounds, college campuses, shopping mall, business complexes and residential neighborhoods. A wide range of optical patterns, color temperatures, lumen packages, and mounting configurations meet a variety of needs. Precise engineering reduces offsite visibility via symmetric and asymmetric distributions, improves security light levels and virtually eliminates maintenance costs over long lamp life. Energy expense is dramatically reduced compared to HID.



**EAACL**  
(Compact Low Wattage)



**EALS**  
(Standard)



**EALP**  
(Premium)

### Decorative Post Top



When the look of your fixture needs to compliment the architecture and landscaping design of a particular environment, **Evolve LED Post Tops** are the perfect choice. Choose from a range of distinctive models, including historically accurate carriage and coach fixtures in both angular and curvilinear profiles. Set the stage for a truly authentic occupant experience with fixtures that feel just right while providing advanced-technology performance via superior energy efficiency and quality of light, improved horizontal and vertical uniformity, reduced glare and precise lighting control.



**EPTT**  
(Town & Country)



**EPAS**  
(Avery StreetDreams)



**EPST**  
(Salem)

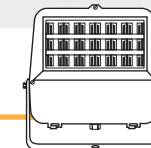


**EPTC**  
(Contemporary Twin Support)



**EPAM**  
(Americana)

### Floodlighting



**Evolve LED Flood lights** bring the security and safety of superior LED illumination to a range of outdoor locations. With a great load, performance and durability, these fixtures offer versatility while meeting your outdoor lighting requirements. **Evolve** floodlights are designed for parking lots, buildings and grounds, facades, industrial yards, recreational areas, billboards and other general purpose area lighting applications. Hazardous location models are UL844 listed.



**EFC**  
(General Purpose Flood and Spot Light)



**EFM**  
(Medium Output Flood and Spot Light)



**EFH**  
(High Output Flood Light)



**EFHH**  
(Hazardous Location High Output Flood Light)



**EFMH**  
(Hazardous Location Medium Output Flood Lights)



EVOLVE • Choose from Current's variety of sleek and stylish street light poles.

**Current** 

**Current - GLI Brands**

25825 Science Park  
Beachwood, OH 44122

**LED.com**

© 2023 Current Lighting Solutions, LLC. All rights reserved. Information and specifications subject to change without notice. All values are design or typical values when measured under laboratory conditions.

(Rev 02/22/24)

OLP3189-Poles-and-Brackets-Portfolio-Brochure\_R02